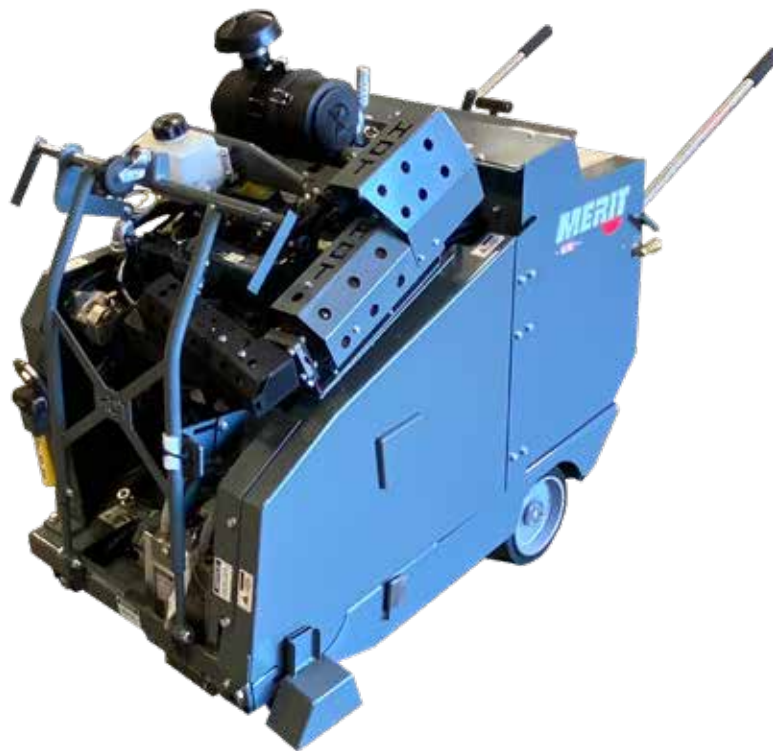


# **MERIT**

AN **OREGON** BRAND



## Replacement Parts & Accessories Price List



# **M600EX-61G-R4-1110**

Effective October 15, 2022

1

<b>NOTICE</b>		<b>DO NOT OVER TIGHTEN BELTS</b>	
<b>NOTICE</b>		<b>DO NOT OVER TIGHTEN BELTS</b>	
	<b>WARNING</b> EXPOSED PULLEYS AND BELTS. DO NOT OPERATE MACHINE WITHOUT BOLTED GUARDS IN PLACE.		
	<b>WARNING</b> EXPOSED PULLEYS AND BELTS. DO NOT OPERATE MACHINE WITHOUT BOLTED GUARDS IN PLACE.		
	<b>WARNING</b> EXPOSED PULLEYS AND BELTS. DO NOT OPERATE MACHINE WITHOUT BOLTED GUARDS IN PLACE.		<b>WARNING</b> <b>BURN HAZARD</b> DO NOT REMOVE RADIATOR CAP WHILE SYSTEM IS HOT. USE 50/50 COOLANT
	<b>WARNING</b> EXPOSED PULLEYS AND BELTS. DO NOT OPERATE MACHINE WITHOUT BOLTED GUARDS IN PLACE.		<b>WARNING</b> HIGH-SPEED FAN KEEP HANDS CLEAR WHILE MACHINERY IS IN OPERATION
	<b>WARNING</b> EXPOSED PULLEYS AND BELTS. DO NOT OPERATE MACHINE WITHOUT BOLTED GUARDS IN PLACE.		<b>WARNING</b> <b>UNLEADED FUEL ONLY</b>
	<b>CAUTION</b> DO NOT SHIFT GEARS WHILE ENGINE IS RUNNING. THIS WILL CAUSE SEVERE DAMAGE TO THE EQUIPMENT.		<b>CAUTION</b> ALWAYS TURN OFF MACHINERY BEFORE SHIFTING GEARS ALWAYS MAKE SURE SHIFT LEVERS ARE PROPERLY LOCKED INTO POSITION BEFORE CUTTING USE 100% 85-140 LUCAS GEAR OIL
<b>NOTICE</b>		<b>DO NOT OVER GREASE BEARINGS</b>	
<b>NOTICE</b>		<b>DO NOT OVER GREASE BEARINGS</b>	
<p>For patent information visit: <a href="http://icsdiamondtools.com/patents">icsdiamondtools.com/patents</a>. ©2021 ICS   Blount, Inc. All Rights Reserved.                  WARNING: This product can expose you to chemicals including lead which is known to the State of California to cause cancer and birth defects or other reproductive harm.                  For more information go to: <a href="http://www.P65Warnings.ca.gov">www.P65Warnings.ca.gov</a></p>			

Labels for all gasoline saws. Your saw may not require all labels on this sheet.

Item	Part Number	Qty per pack	Description	Qty Needed for view above
1	490378	1	SAFETY DECAL, GASOLINE SAWS	1



Item	Part Number	Qty per pack	Description	Qty Needed for view above
1	45172	1	RUBBER FLAP, 6 X 8	1
2	48207	1	1-1/2 BLADE WRENCH	1
3	10206	1	NYLON BUSHING, 2-5/16 IN L	1
Not shown	10205	1	NYLON BUSHING, 3-5/16 IN L	1
4	18IBG	1	18" BLADE CAPACITY (18" X 2")	1
Not shown	20IBG	1	20" BLADE CAPACITY (20" X 2")	1
Not shown	24IBG	1	24" BLADE CAPACITY (24" X 2")	1
5	26IBG	1	26" BLADE CAPACITY (26" X 2")	1
Not shown	30IBG	1	30" BLADE CAPACITY (30" X 3")	1
Not shown	36IBG	1	36" BLADE CAPACITY (36" X 3")	1
Not shown	42IBG	1	42" BLADE CAPACITY (42" X 3")	1
Not Shown	48IBG	1	48" BLADE CAPACITY (48" X 3")	1
6	21900	1	NIGHTLIGHT KIT (incl panel switch and complete harness)	1

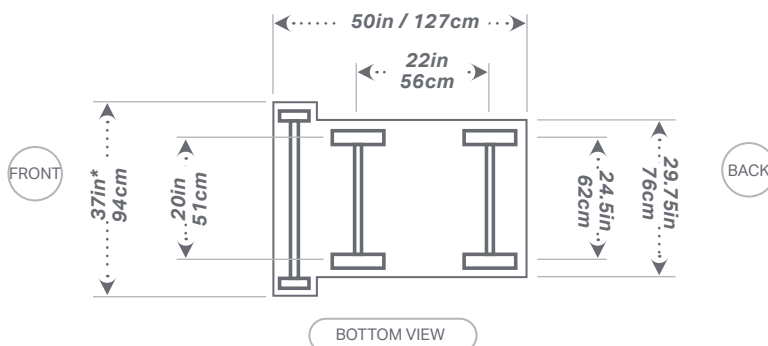
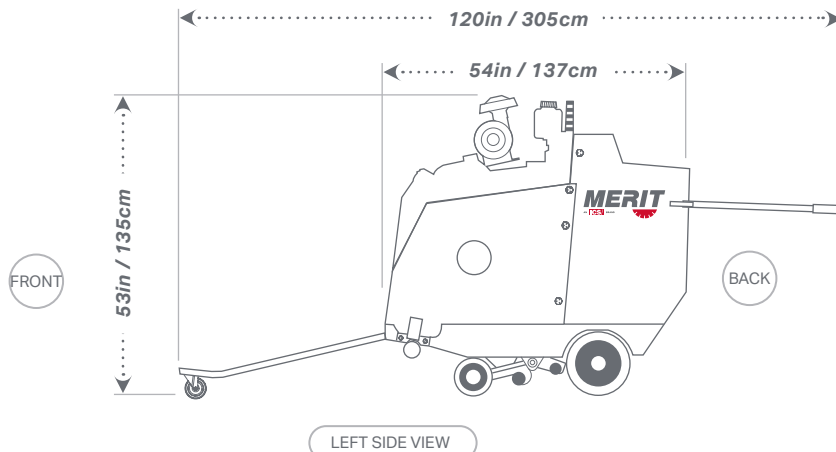
# SPECIFICATIONS

# M600EX-61G-R4-1110 FLAT SAW

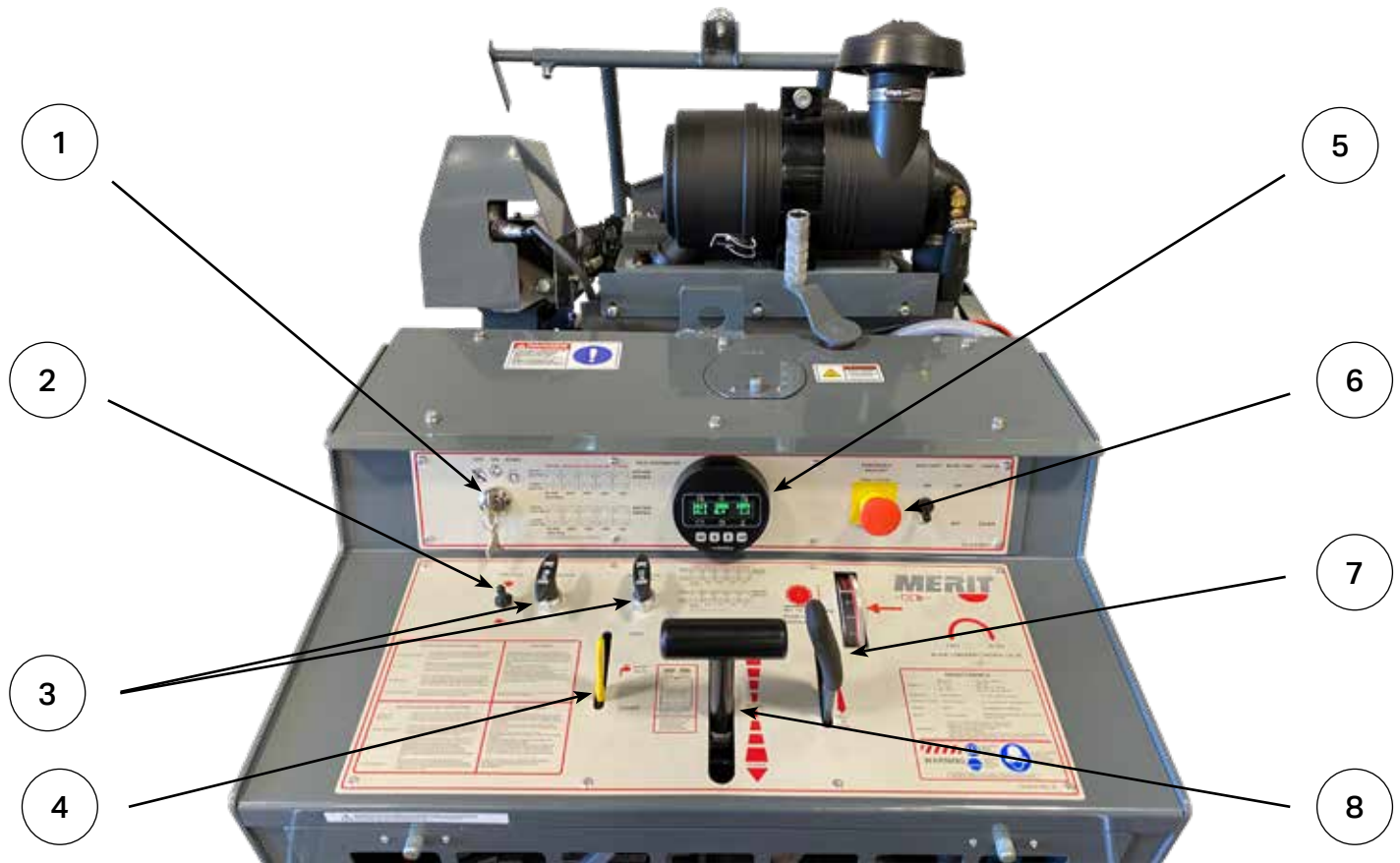
Tool Specifications	
Engine	Kubota
Horsepower	61
Blade Speed	HD 4-Speed plus blade neutral
Fuel Type	Gasoline
Blade Capacity	18" - 48"
Max Depth Cutting	21.5"
Blade Flanges	5"
Drive Speed	240 inches per minute
Drive System	Hydraulic over mechanical differential
Approx. Weight	1,760 flat saw only
Fuel Tank Capacity	5.5 gallons

Battery & Fluids	
12V Battery	Battery group: 26R, 540 CCA @ 0-degree F
Hydraulic Lift Pump	ATF, 1 Quart
Drive System	20W-50, 1.5 quarts
Differential Oil	20W-50, 1 quart
Gearbox Oil	85-140, use Gb side port for oil level
Engine Coolant	50/50 Antifreeze

Engine Specifications	
Engine Manufacturer	Kubota (WG, Gasoline series)
Max RPM	2,700
Catalyst System	Included as standard
Warranty	3 Year, Limited Per Manufacturer



\*36.625 in / 93cm Standard  
 35.425 in / 90cm QD w/components  
 33.125 in / 84cm QD (Flush) w/components

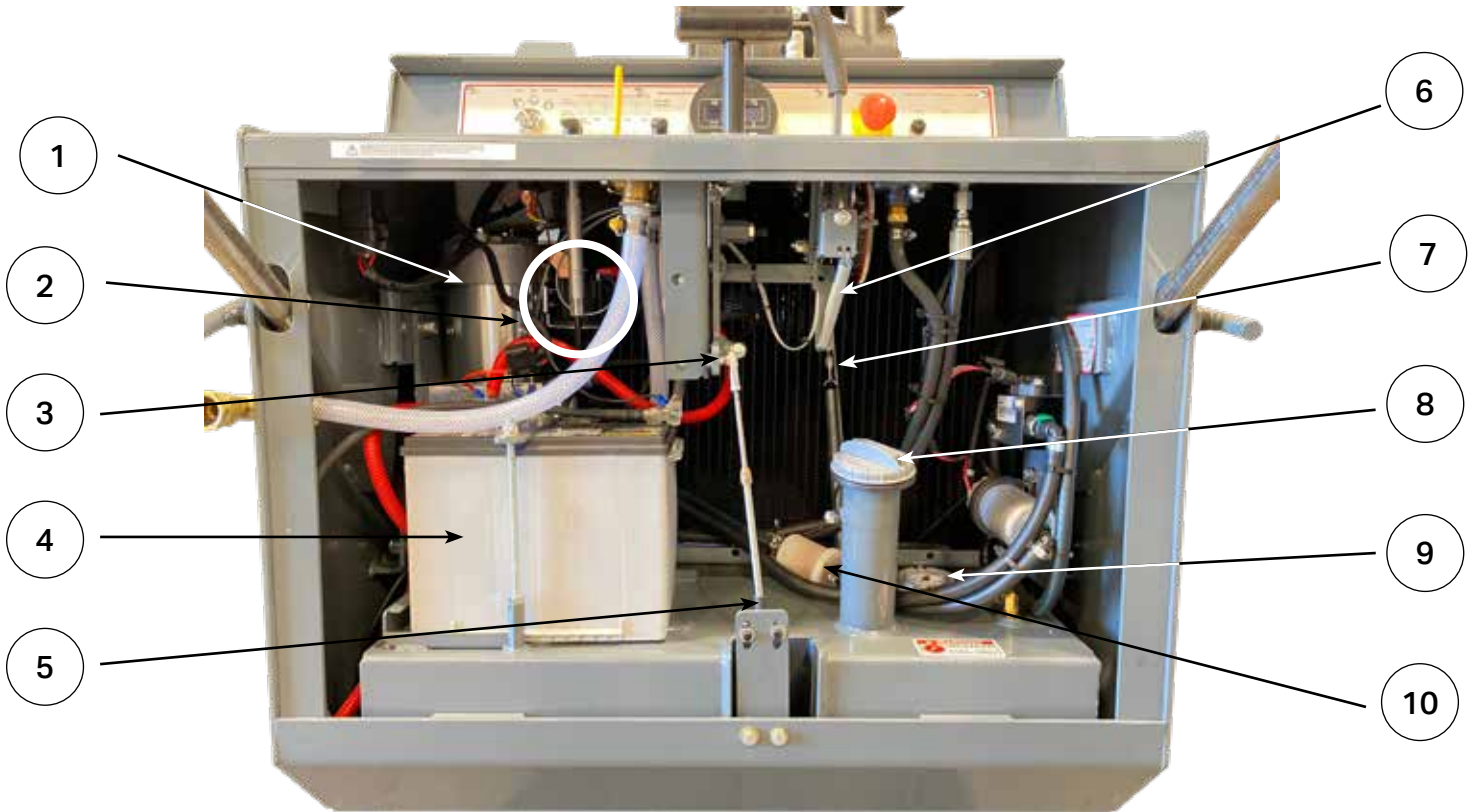


Standard Controls View

Item	Part Number	Qty per pack	Description	Qty Needed for view above
1	21129	1	KUBOTA IGNITION SWITCH	1
Not Shown	22224	1	THROTTLE TOGGLE SWITCH, (gasoline saws only)	1
2	17167	1	SWITCH BOOT	1
3	22249	1	CABLE, TWIST LOCK	2
4	21130	1	WATER VALVE ASSEMBLY	1
6	22163	1	DISPLAY CONTROLLER, (Kubota gasoline only)	1
6	22248RP	1	EMERGENCY STOP ASSEMBLY (Includes contact blocks)	1
7	21162	1	RAISE AND LOWER ASSEMBLY MECHANISM	1
8	21161	1	FORWARD & REVERSE ASSEMBLY MECHANISM	1

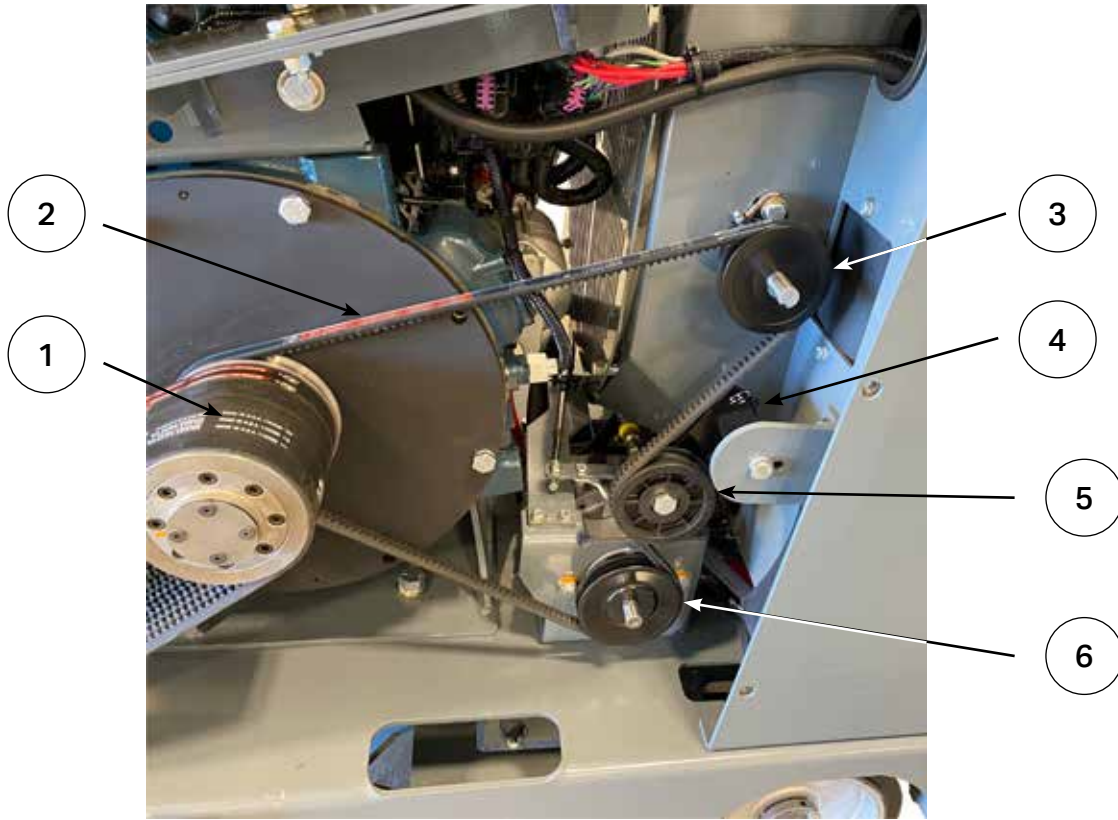
# INSIDE CONTROL PANEL

M600EX-61G-R4-1110 FLAT SAW



Item	Part Number	Qty per pack	Description	Qty Needed for view above
1	14305-BRP	1	HYDRAULIC LIFT PUMP	1
2	490469	1	12 VOLT SOLENOID, (For lift pump)	1
3	16102	1	BALL JOINT, SPRING LOADED	1
4	Source locally	1	BATTERY, FP-AGM35 MAINTENANCE-FREE	1
5	22121	1	FORWARD & REVERSE CABLE, 60"	1
6	41118	1	RAISE LEVER RETURN SPRING	1
7	626581	1	DEPTH INDICATOR CABLE	1
8	17171	1	FUEL CAP	1
9	46109	1	FUEL GAUGE, MECHANICAL	1
10	625133	1	FUEL FILTER, (gasoline only)	1

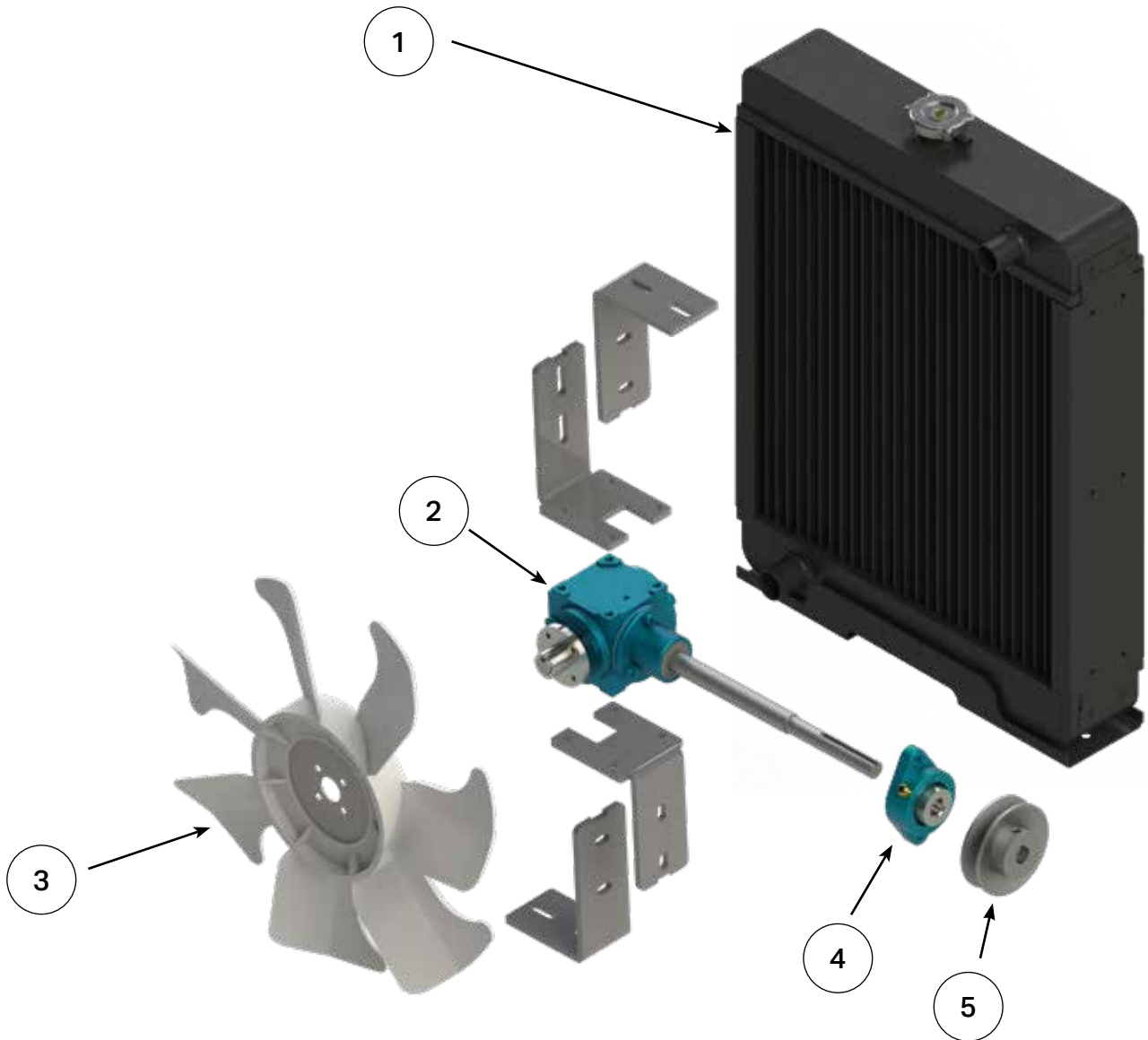




Item	Part Number	Qty per pack	Description	Qty Needed for view above
1	2/3VX475	1	BELT, 2/3VX475	5
2	AX56	1	BELT, AX56	1
3	13209	1	PULLEY, RIGHT ANGLE DRIVE FOR COOLING FAN	1
4	41119	1	IDLER BELT, TENSIONER (PULLEY NOT INCLUDED) recommend replacing pulley when replacing tensioner see line 5 below	1
5	490033	1	IDLER BELT, PULLEY (FLAT SURFACE) recommend replacing pulley when replacing tensioner, see line 4 above	1
6	13181	1	PULLEY, HYDROSTATIC DRIVE PUMP	1

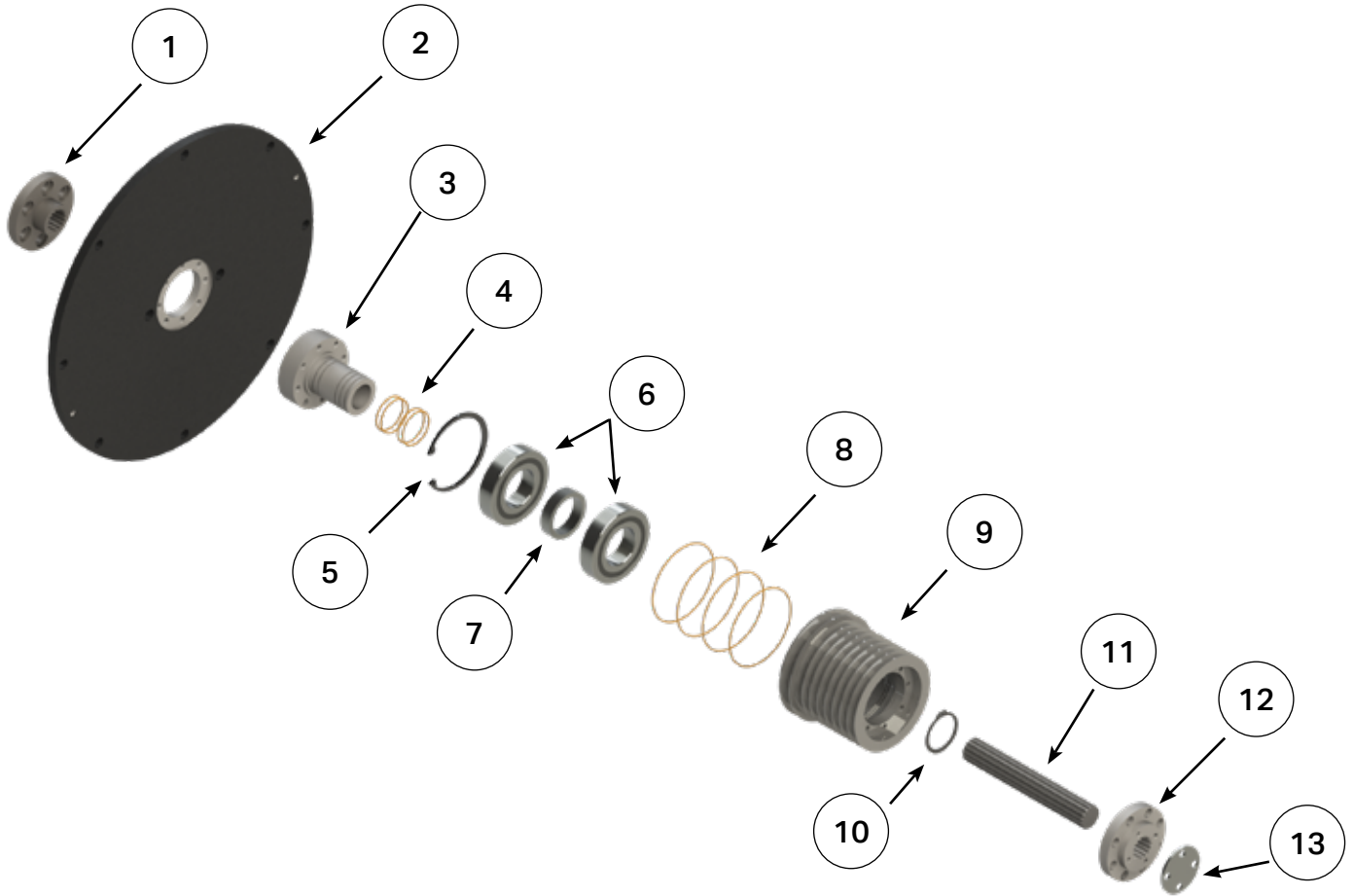
# COOLING SYSTEM

M600EX-61G-R4-1110 FLAT SAW



Item	Part Number	Qty per pack	Description	Qty Needed for view above
1	23212	1	RADIATOR, 600 SERIES	1
2	23222RP	1	RIGHT ANGLE DRIVE ASSEMBLY	1
3	N/A	1	COOLING FAN	1
4	10143	1	FLANGE BEARING, 5/8"	1
5	13209	1	FAN DRIVE PULLEY	1

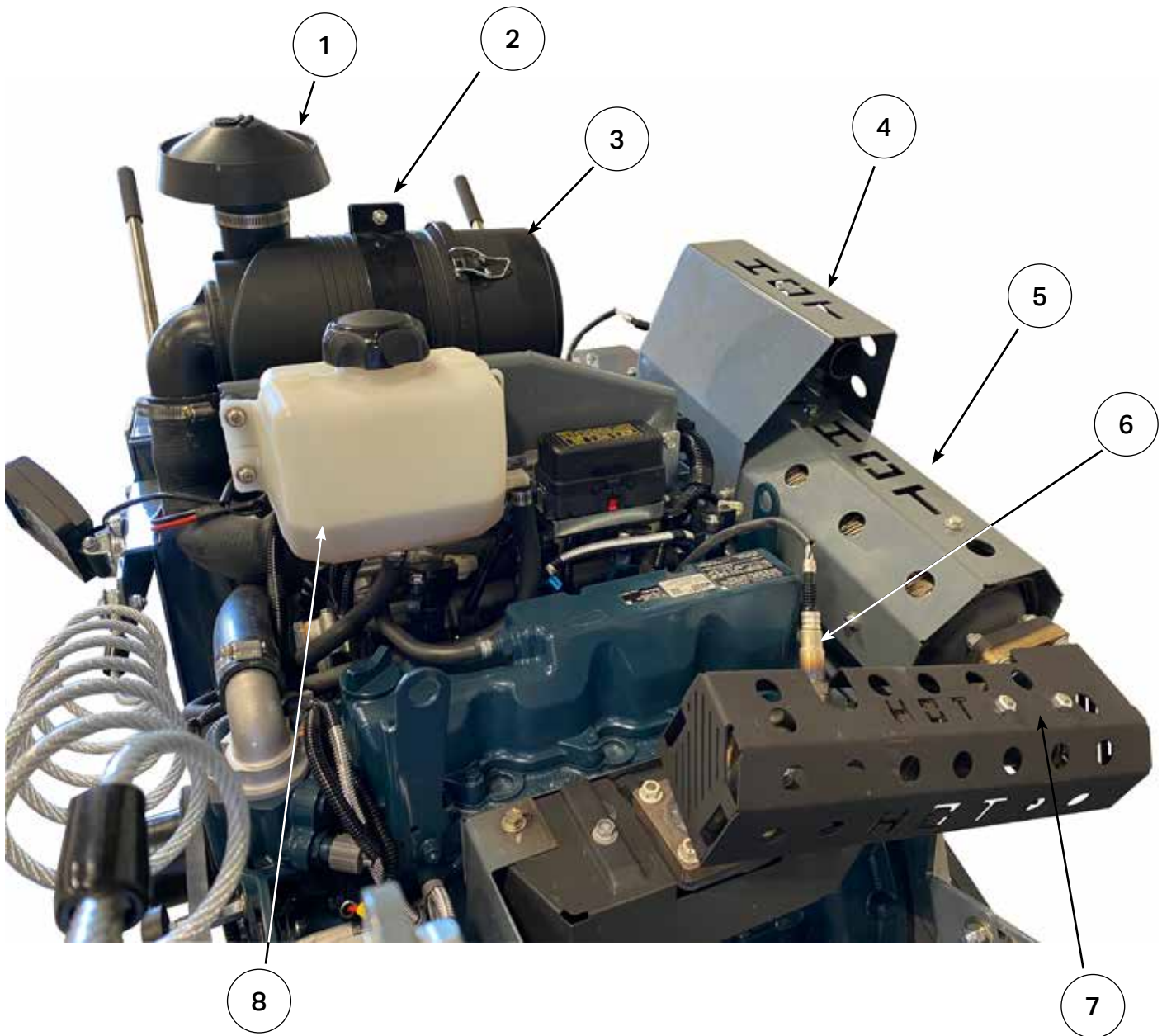




Item	Part Number	Qty per pack	Description	Qty Needed for view above
1	490277	1	SPLINED DRIVE FLANGE, FITS M600-61G SERIES ONLY	1
2	17224	1	ADAPTER PLATE, FITS M600 SERIES	1
3	10154	1	BEARING SUPPORT, 11 GROOVES	1
4	12116	1	O-RING, HIGH TEMP. SMALL	4
5	12113	1	INTERNAL SNAP RING	1
6	10134	1	BEARING, PTO	2
7	10351	1	SPACER, PTO	1
8	12160	1	O-RING, HIGH TEMP. LARGE	4
9	13199	1	PULLEY, ENGINE POWER TAKE OFF (PTO)	1
10	12110	1	EXTERNAL SNAP RING	1
11	10334	1	SPLINED DRIVE SHAFT, 6.5"	1
12	17169	1	SPLINED DRIVE CAP, FITS M600 & M800 SERIES	1
13	17201	1	SPLINED DRIVE RETAINER CAP	1

# EXHAUST SYSTEM

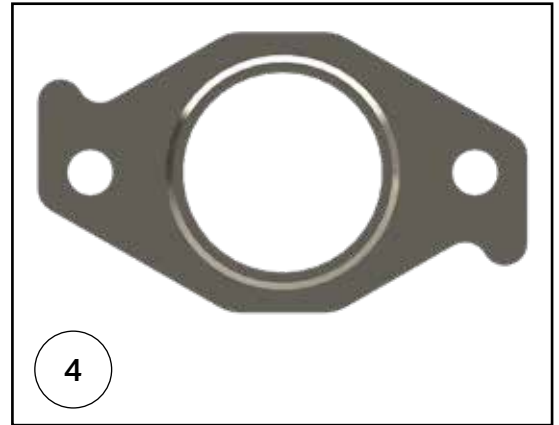
M600EX-61G-R4-1110 FLAT SAW



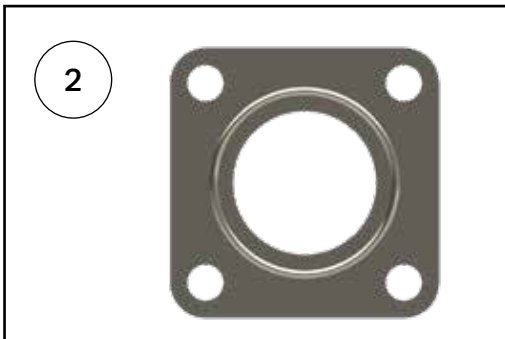
Item	Part Number	Qty per pack	Description	Qty Needed for view above
1	490244	1	AIR FILTER HOOD	1
2	15100	1	AIR FILTER MOUNTING CLAMP	1
3	23160	1	AIR FILTER HOUSING	1
4	18605	1	SHIELD, EXHAUST TAIL, FITS M600-61G SERIES	1
5	23144	1	CATALYST SHIELD	1
6	22212	1	O2 SENSOR	2
7	490535	1	HEAT SHIELD, FLEX PIPE FITS M600-61G SERIES	1
8	42101	1	OIL RESERVOIR TANK, 2 QUART	1



1



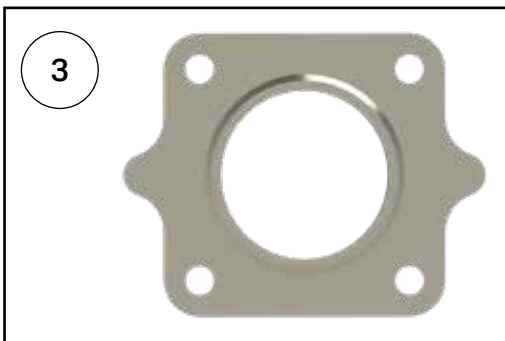
4



2



5

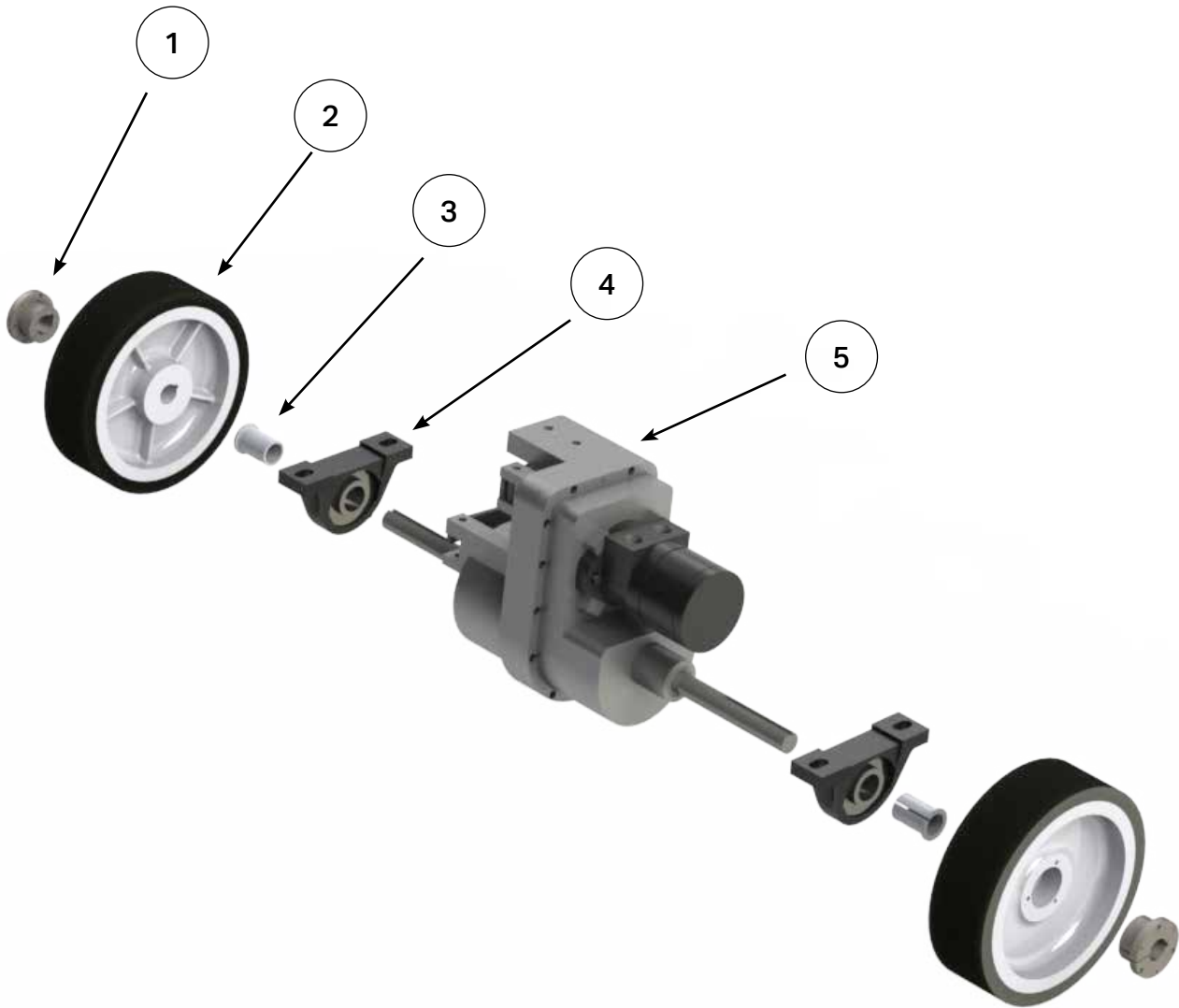


3

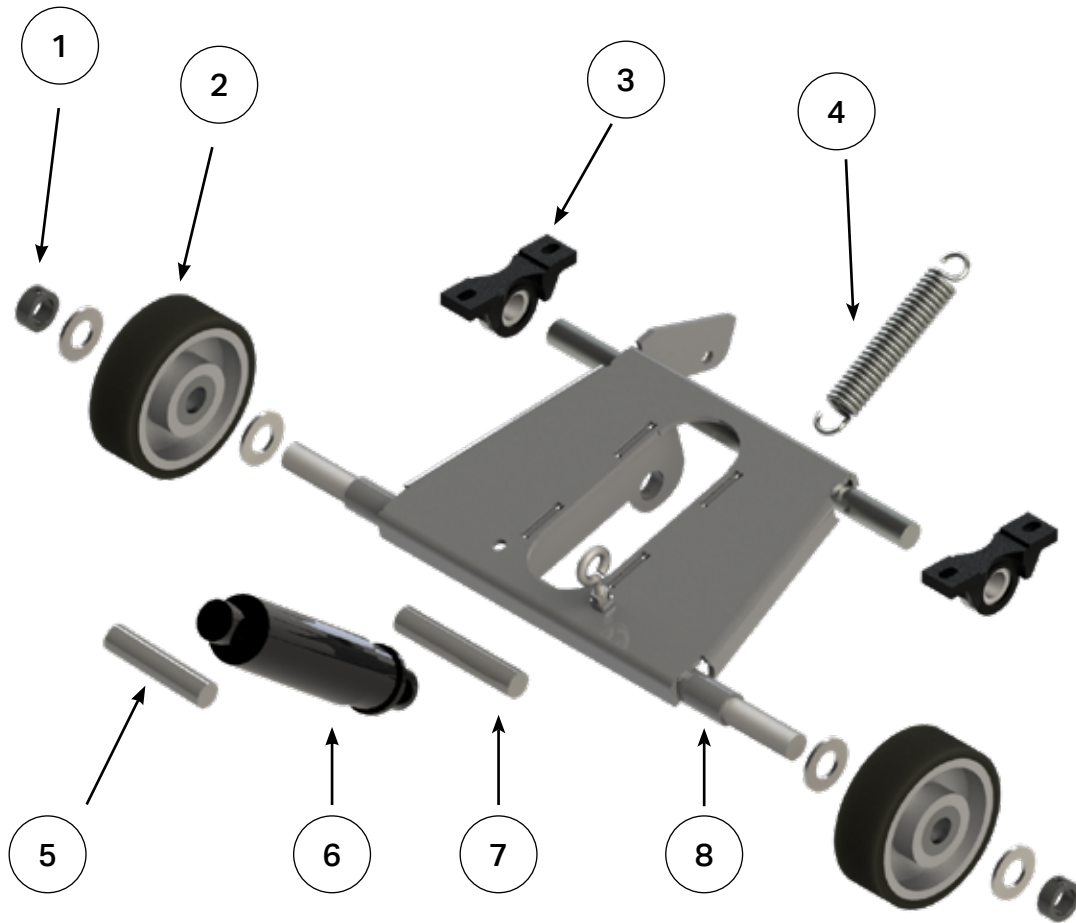


6

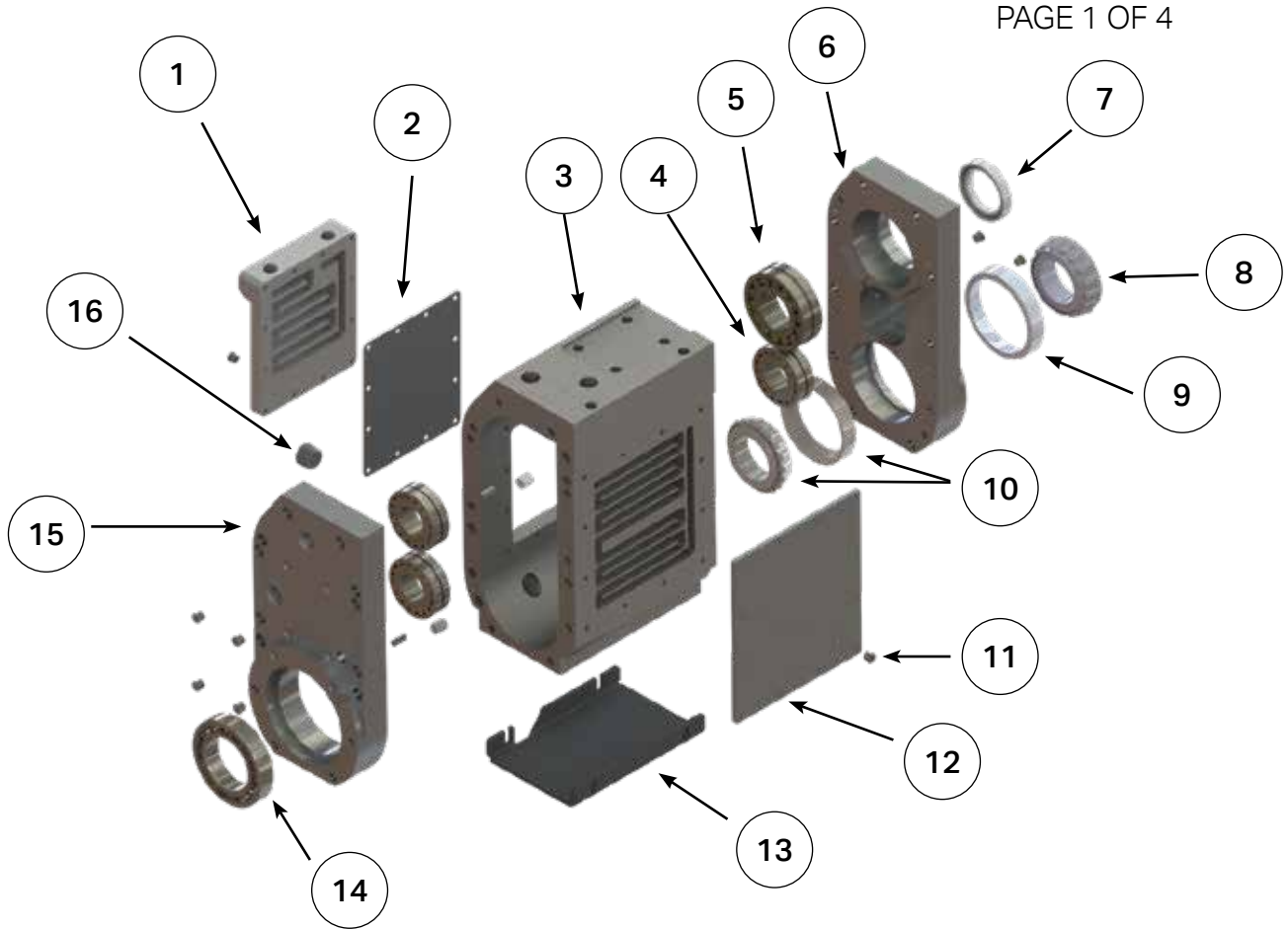
Item	Part Number	Qty per pack	Description	Qty Needed for view above
1	23895RP	1	CATALYST CONVERTER, KUBOTA (Includes hardware & wrap)	1
2	14351	1	GASKET, ENGINE TO FLEX PIPE	1
3	490181	1	GASKET, FLEX-PIPE TO CATALYST	1
4	23208	1	GASKET, CAT-TAIL PIPE	1
5	23248	1	FLEX PIPE, FITS M600-61G SERIES	1
6	23142RP	1	TAIL PIPE KIT	1



Item	Part Number	Qty per pack	Description	Qty Needed for view above
1	10191	1	QD BUSHING	2
2	45134	1	REAR WHEEL, 10" X 3" X 1" TAPER BORE	2
3	10200	1	STEP BUSHING, 1" TO 1-1/4"	2
4	10146	1	PILLOW BLOCK BEARING, 1-1/4"	2
5	21174	1	MERIT DIFFERENTIAL, FITS M600 & M800 SERIES	1

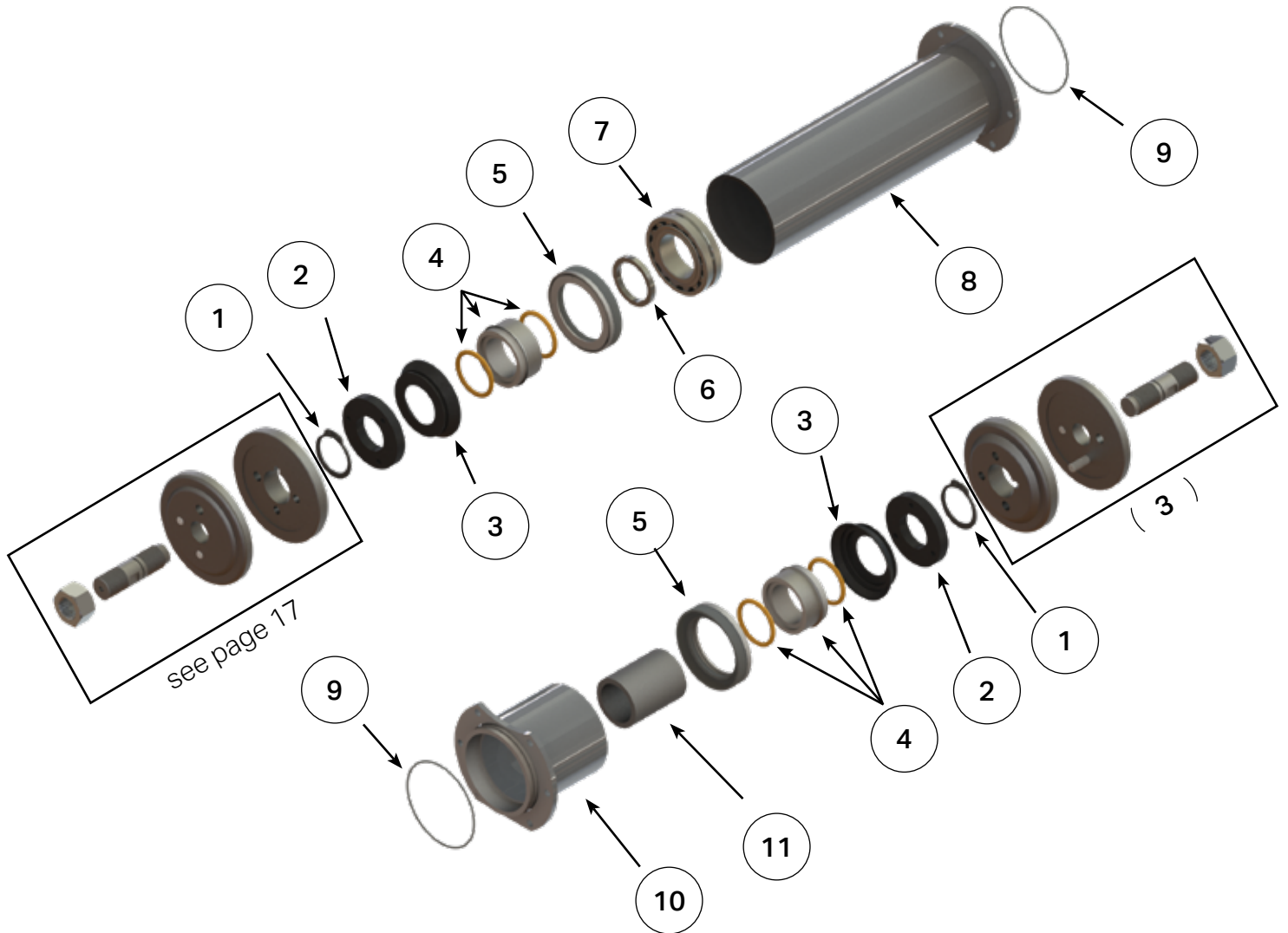


Item	Part Number	Qty per pack	Description	Qty Needed for view above
1	15154	1	SHAFT COLLAR, 1" ZINC	2
2	45135	1	8" X 2-1/2" X 1" WHEEL, NEOPRENE	2
3	10146	1	PILLOW BLOCK BEARING, 1-1/4"	2
4	41112	1	SPRING, 8" FRONT AXLE	1
5	621992	1	PIN, 5"	1
6	14140	1	LIFT CYLINDER	1
7	621993	1	PIN, 5 3/8"	1
8	18836	1	FRONT AXLE, FITS M600EX ONLY	1

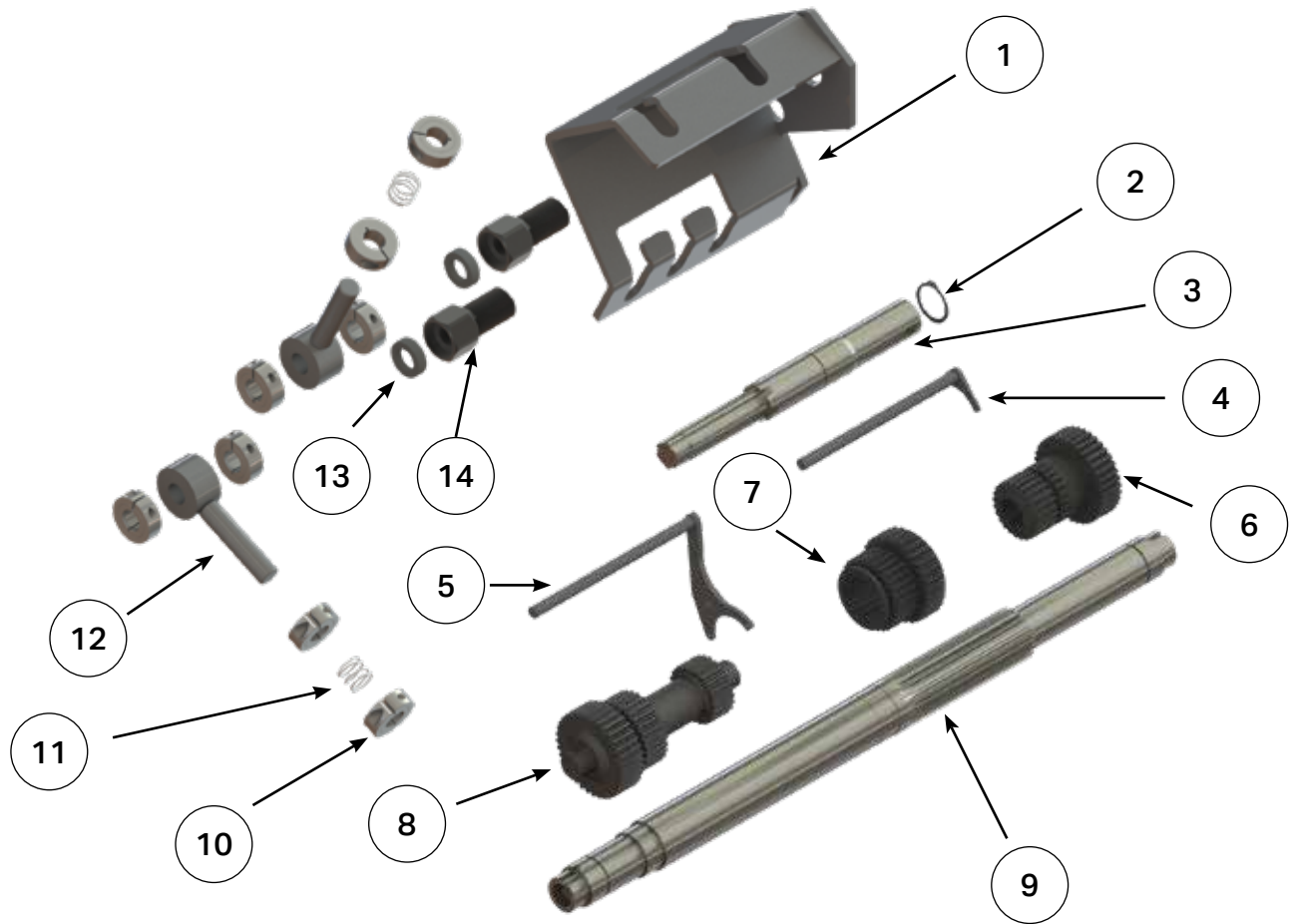


Item	Part Number	Qty per pack	Description	Qty Needed for view above
1	490004	1	COOLER COVER CASTING	1
2	17209	1	INTERMEDIATE PLATE	1
3	490276	1	CENTER CASTING, HD	1
4	10136	1	BEARING	3
5	10139	1	BEARING	1
6	17186	1	HD END COVER, INPUT SIDE	1
7	12132	1	SEAL, INPUT SHAFT	1
8	10403	1	BEARING, CONE	1
9	490209	1	BEARING, CUP	1
10	10141	1	BEARING, SET	1
11	12105	1	FLUSH HEX PLUG, NO 2 O-RING	9
12	629944	1	COOLER PLATE	1
13	17212	1	SKID PLATE, HD	1
14	10133	1	BEARING, OPEN	1
15	17187	1	HD END COVER, SHIFTER SIDE	1
16	12106	1	½" NPT MAGNETIC PLUG	1

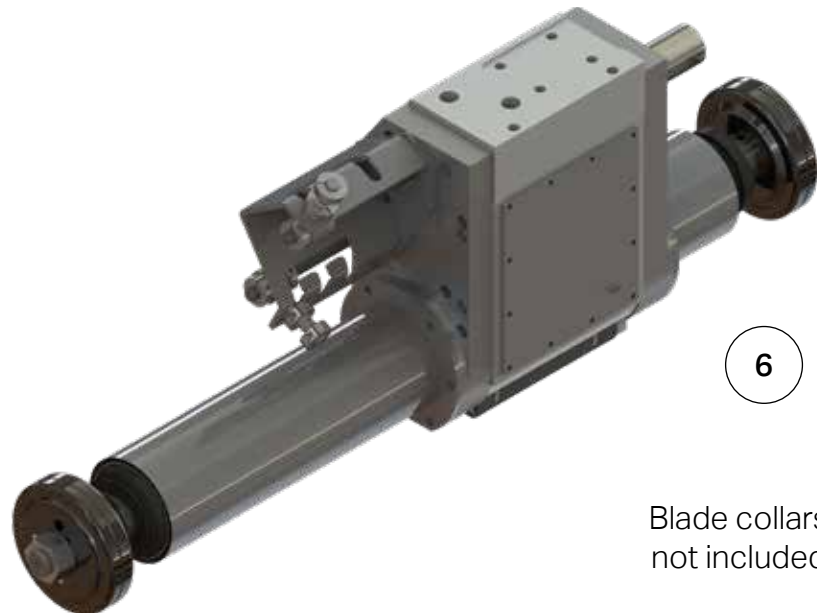




Item	Part Number	Qty per pack	Description	Qty Needed for view above
1	12109	1	EXTERNAL SNAP RING, HD	2
2	12143	1	SEAL SLEEVE RETAINER, HD	2
3	12142	1	SEAL CUP	2
4	12173	1	SEAL SLEEVE PACKAGE, HD	2
5	12146	1	SEAL PACKAGE, HD	2
6	10346	1	1/4" SPACER, HD	1
7	10140	1	BEARING	1
8	490332	1	LONG HOUSING, FITS M600EX ONLY	1
9	12171	1	O-RING	2
10	11116	1	SHORT HOUSING, HD GEARBOX	1
11	10193	1	SPACER BUSHING	1

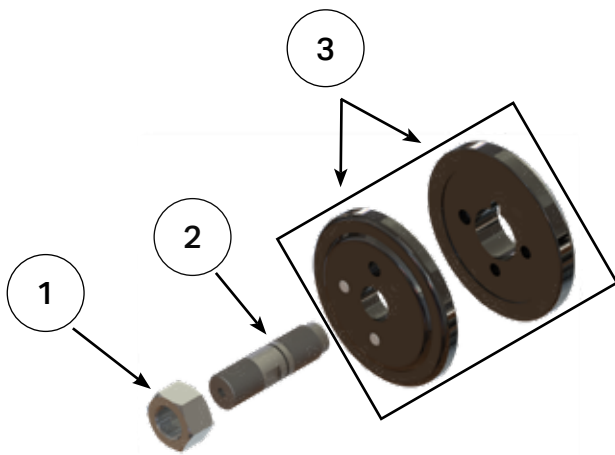


Item	Part Number	Qty per pack	Description	Qty Needed for view above
1	18134	1	SHIFT GATE, HD	1
2	12110	1	EXTERNAL SNAP RING	1
3	490275	1	INPUT SHAFT, HD	1
4	490274	1	UPPER SHIFT FORK, HD GEARBOX	1
5	10263	1	LOWER SHIFT FORK, HD GEARBOX	1
6	10273	1	UPPER SLIDER GEAR, HD	1
7	10275	1	LOWER SLIDER GEAR, HD	1
8	10274	1	IDLER GEAR, HD	1
9	10316	1	OUTPUT SHAFT, 4-SPEED. FITS M600EX	1
10	490044	1	SPLIT SHAFT COLLAR, 1/2"	8
11	490091	1	SHIFTER SPRING	2
12	16110	1	SHIFT LEVER, GEARBOX	2
13	12139	1	OIL SEAL, SHIFTER	2
14	11113	1	SHIFTER HOUSING	2

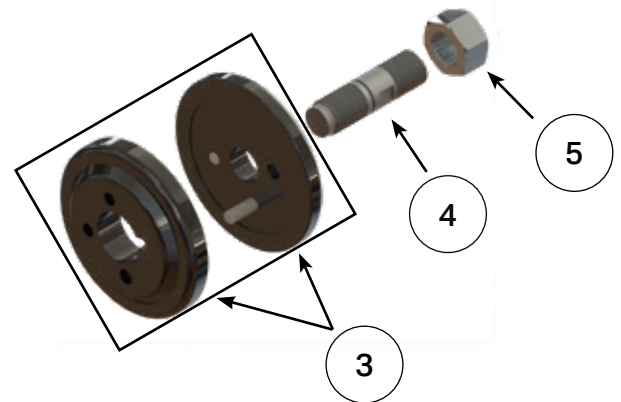


6

Blade collars  
not included



RIGHT HAND THREAD

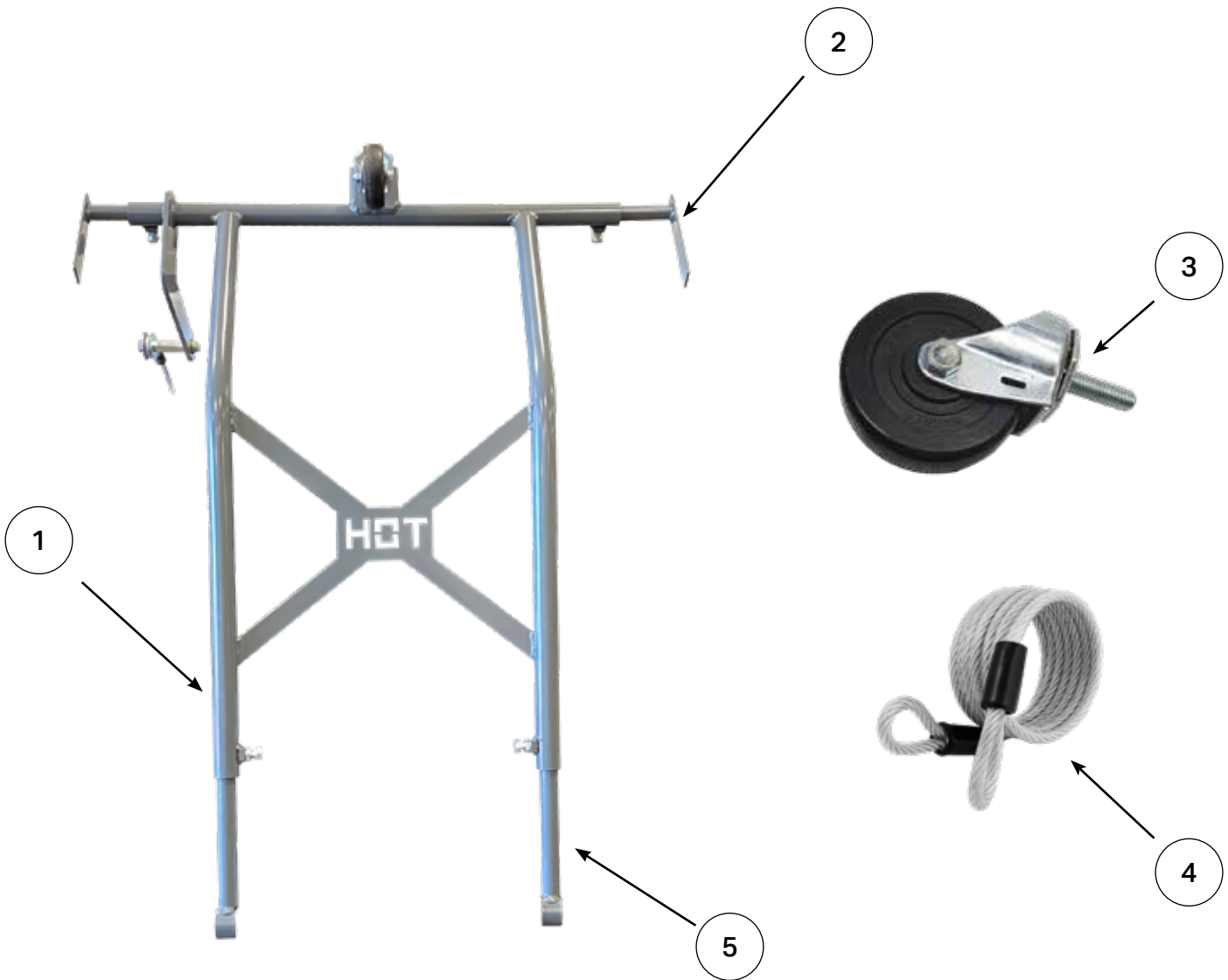


LEFT HAND THREAD

Item	Part Number	Qty per pack	Description	Qty Needed for view above
1	15199	1	BLADE NUT, RHT GR 8 HEX, 1'-14, YELLOW	1
2	15306RP	1	STUD, 1'-14 X 3½' RIGHT HAND THREAD (STANDARD)	1
3	631532	1	BLADE COLLAR SET, 5" M600SS/EX	2
4	15307RP	1	STUD, 1'-14 X 3½' LEFT HAND THREAD (STANDARD)	1
5	15200	1	BLADE NUT, LEFT HAND THREAD, 1'-14	1
6	21175RP	1	HD GEARBOX, FITS M600EX	1

**POINTER FRAME & ASSY COMPONENTS**

**M600EX-61G-R4-1110 FLAT SAW**



Item	Part Number	Qty per pack	Description	Qty Needed for view above
1	18938	1	POINTER FRAME, FITS M600 & M800 SERIES	1
2	19138RP	1	BRACKET, POINTER GUIDE	2
3	45132	1	3" POINTER WHEEL	1
4	22131	1	POINTER CABLE	1
5	46123RP	2	LOWER POINTER TUBE (Kit includes 2 pieces)	1 KIT



This page intentionally left blank

**Merit, An Oregon Brand**  
**4909 SE International Way**  
**Portland, OR 97222**  
**800.321.1240**  
**oregonconstruction.com**