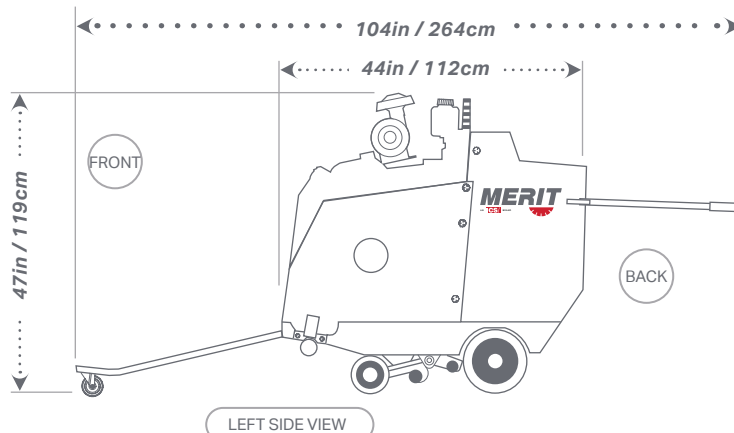
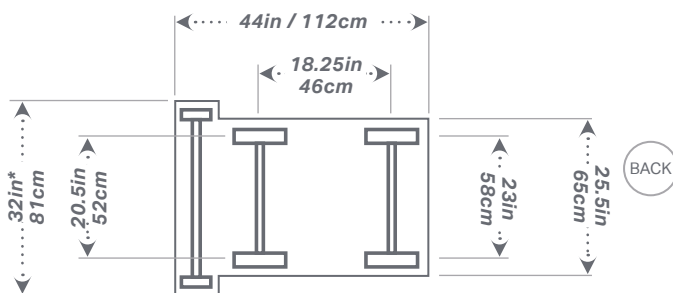




M400SS-50G - GAS POWER

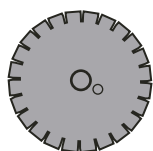


LEFT SIDE VIEW



BOTTOM VIEW

*32in / 82cm Standard
30.5in / 77.5cm QD w/components
28.375in / 72cm QD (Flush) w/components



14in - 30in
35cm - 76cm

13in/33cm Max Cut

FRONT

BACK



SPECIFICATIONS

Raise & Lower Control	Button or standard
Air Filter	2 stage
Blade Mounting	Left and right
Blade Shaft Drive	1in / 2.5cm with 4in / 10cm arbors
Approx. Weight	1150lbs. / 522kg.
Drive Speed	0-240 FPM
Depth Control	Mechanical
Arbor Size	1in / 2.5cm
Engine Manufacturer	Kubota
Fuel Capacity	6.5 gallons / 25L

BLADE GUARD IN	BLADE GUARD CM
14 x 2	35.5 x 5
18 x 2	46 x 5
20 x 2	50 x 5
24 x 2	61 x 5
26 x 2	66 x 5
30 x 3	76 x 7

400SS SERIES - 50HP - GAS - REAR PIVOT - 1 SPEED

M400SS-50G-R1-1110	M400SS, 50HP, GAS, REAR PIVOT, 1 SPEED, STANDARD CONTROL, STANDARD BLADE MOUNT, LIGHT KIT
M400SS-50G-R1-2110	M400SS, 50HP, GAS, REAR PIVOT, 1 SPEED, BUTTON CONTROL, STANDARD BLADE MOUNT, LIGHT KIT
M400SS-50G-R1-1210	M400SS, 50HP, GAS, REAR PIVOT, 1 SPEED, STANDARD CONTROL, QUICK DISCONNECT BLADE MOUNT, LIGHT KIT
M400SS-50G-R1-2210	M400SS, 50HP, GAS, REAR PIVOT, 1 SPEED, BUTTON CONTROL, QUICK DISCONNECT BLADE MOUNT, LIGHT KIT

400SS SERIES - 50HP - GAS - REAR PIVOT - 4 SPEED

M400SS-50G-R4-1110	M400SS, 50HP, GAS, REAR PIVOT, 4 SPEED, STANDARD CONTROL, STANDARD BLADE MOUNT, LIGHT KIT
M400SS-50G-R4-2110	M400SS, 50HP, GAS, REAR PIVOT, 4 SPEED, BUTTON CONTROL, STANDARD BLADE MOUNT, LIGHT KIT
M400SS-50G-R4-1210	M400SS, 50HP, GAS, REAR PIVOT, 4 SPEED, STANDARD CONTROL, QUICK DISCONNECT BLADE MOUNT, LIGHT KIT
M400SS-50G-R4-2210	M400SS, 50HP, GAS, REAR PIVOT, 4 SPEED, BUTTON CONTROL, QUICK DISCONNECT BLADE MOUNT, LIGHT KIT

ICSDIAMONDTOOLS.COM | 800.321.1240