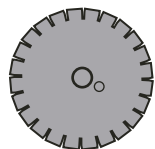
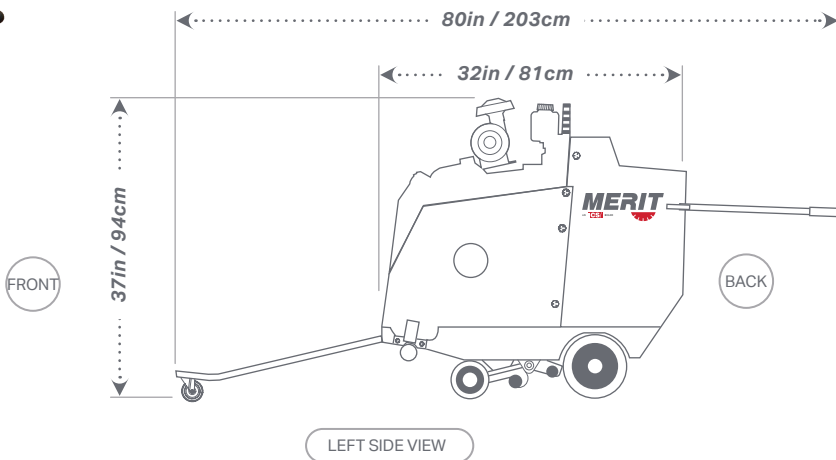
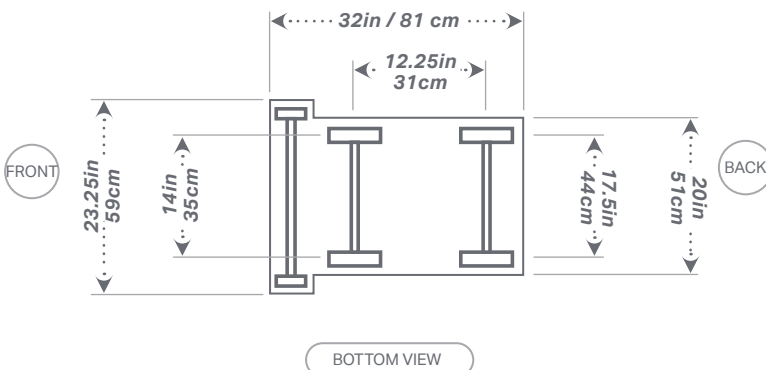


M250W-23G - GAS POWER



14in - 24in
35cm - 61cm

10in/25cm Max Cut



SPECIFICATIONS

Raise & Lower Control	Manual
Air Filter	Engine supplied
Blade Mounting	Left and right
Blade Shaft Drive	1in / 2.5cm with 4in / 10cm arbors
Approx. Weight	480lbs. / 218kg.
Drive Speed	0-200 FPM
Depth Control	Manual
Spindle Size	1.25in / 3cm with tapered roller bearings
Arbor Size	1in / 2.5cm
Engine Manufacturer	Kohler
Fuel Capacity	3.5 gallons / 13L

BLADE GUARD IN	BLADE GUARD CM
14 x 2	35.5 x 5
18 x 2	46 x 5
20 x 2	50 x 5
24 x 2	61 x 5

Part Number	Description
M250-23G-SP	M250, 23HP, GAS, SELF-PROPELLED FLAT SAW

ICSDIAMONDTOOLS.COM | 800.321.1240