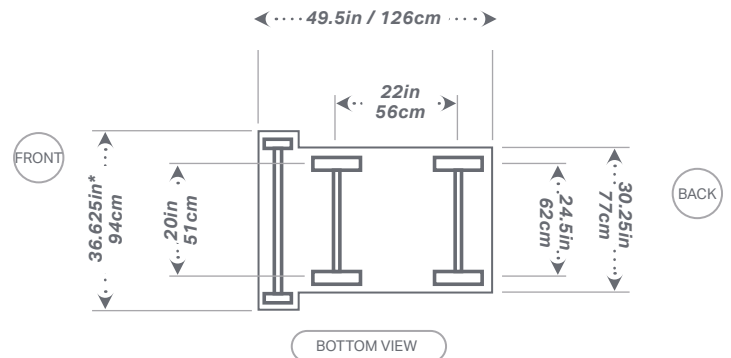
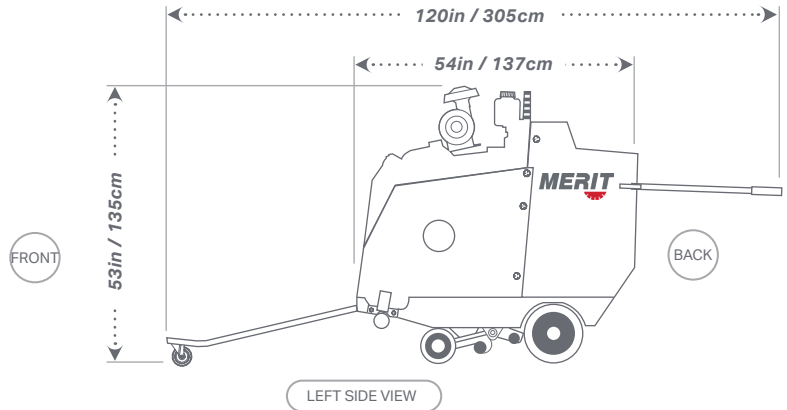


MERIT

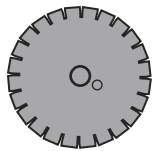
AN ICS BRAND



M610-61G - GAS POWER



*36.625in / 93cm Standard
 35.425in / 90cm QD w/components
 33.125in / 84cm QD (Flush) w/o components



14in - 48in
 35cm - 122cm

21.5in/55cm Max Cut



SPECIFICATIONS	Raise & Lower Control	Standard
	Air Filter	Dual Stage
	Blade Mounting	Left and right
	Blade Shaft Drive	1in / 2.5cm or with 5in/ 13cm arbors
	Approx. Weight	1725lbs. / 782kg.
	Drive Speed	0-240 FPM
	Depth Control	Electric over Hydraulic
	Arbor Size	1 in / 2.5 cm
	Engine Manufacturer	Kubota
	Fuel Capacity	7.8 gallons / 29.5 Liter

BLADE GUARD IN	BLADE GUARD CM
14 x 2	35.5 x 5
18 x 2	46 x 5
20 x 2	50 x 5
24 x 2	61 x 5
26 x 2	66 x 5
30 x 3	76 x 7
36 x 3	91 x 7
42 x 3	107 x 7
48 x 3	122 x 7

M610 SERIES - 61HP - GAS - REAR PIVOT - 4 SPEED	
M610-61G-R4	M610, 61HP, GAS, REAR PIVOT, 4 SPEED, STANDARD CONTROL, STANDARD BLADE MOUNT

ICSDIAMONDTOOLS.COM | 800.321.1240

Effective January 1, 2025 | Copyright 2025 ICS, Oregon Tool Inc. Pricing, product offerings and specifications are subject to change without notice. FORCE3, FORCE4, PowerGrit, SpeedHook, SealPRO, and WallWalker are registered trademarks of ICS. The best way to cut concrete, DCT, Speed King, TSS, Trident and ProFORCE are trademarks of ICS. Rev: 022025.