



Diamond Tools and Equipment

FULL PRODUCT LINE CATALOG

Quality You Can Count On

ICS® Diamond Tools & Equipment, is the professional concrete cutter's choice in superior quality concrete cutting equipment. For over 30 years, we have led the industry in chain based concrete and pipe cutting solutions and, we're just getting started. We now offer premium flat saws, wire saws, and wall saws under the Merit and Pentrunder brands.

ICS® pioneered Diamond Chain Technology™ so that professionals and homeowners have tools that will cut through the toughest stuff ever made. Our concrete-cutting diamond chains are designed and manufactured in Portland, Oregon. Our revolutionary SealPro and Seal Pro Advanced anti-stretch technologies significantly reduce chain stretch, so you spend less time tensioning your chain.

Our patented PowerGrit® pipe cutting chain allows you to cut ductile iron, HDPE and PVC pipe in a confined space with no fear of rotational kickback. Coupled with our best-in-class guidebars and powerheads gives you a cutting system that can plunge cut up to 25" deep. Our system also allows you to cut tight radiuses and clean, square corners with no overcuts. All our powerheads are designed for wet cutting and have integrated water delivery systems that reduce airborne particles during the cut. Your job demands power and precision. ICS® provides cutting systems that allow you to get your job done quickly and safely compared to other cutting methods.

Founded by professional concrete cutters for professional concrete cutters, Merit designs and manufactures dependable, high performing, and user-friendly floor saws for jobs of all sizes. Merit saws and power packs are handcrafted and made-to-order from high-quality materials that are machined and assembled in the U.S. and distributed globally.

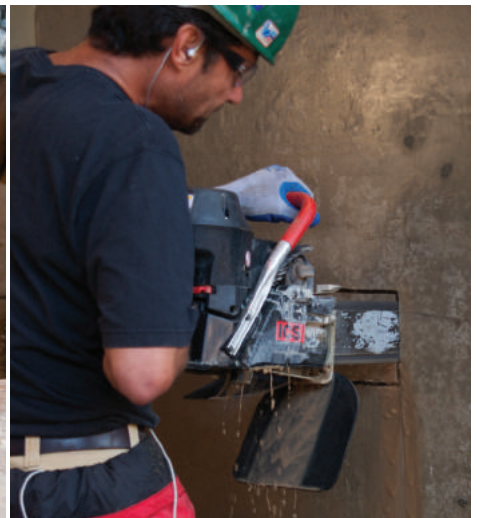
Service You Can Count On

Headquartered in Portland, Oregon, ICS® Diamond Tools & Equipment has a sales and distribution office in Belgium and a worldwide sales and service network covering more than 70 countries. ICS® products are sold and supported by a network of Authorized Dealers and backed by a comprehensive network of factory-trained personnel and service centers.

The ICS® family of brands are the professional concrete, pipe, and stone cutter's choice for superior chain-based cutting systems.

TABLE OF CONTENTS

Products	Page Numbers
ICS® Gas Power Cutters	4 - 7
ICS® Hydraulic Power Cutters	8 - 9
ICS® Pneumatic Power Cutters	10
Powerpacks	11
PowerGrit®	12 - 13
Merit / Flat Saws	14 - 29
Customer Service / Sales Team	21
ICS® Diamond Chains	30 - 35



695XL - GAS POWER

6.4 horsepower
 94 CC displacement
 20 psi water pressure
 2 gpm water flow
 50:1 fuel mix

695XL-GC



P/N	DESCRIPTION
581192	695XL GC Powerhead
576150	695XL-12 GC Gas Power Cutter Pkg. with 12 in/30 cm FORCE3® Guidebar & FORCE3® Chain
575863	695XL-14 GC Gas Power Cutter Pkg. with 14 in/35 cm FORCE3® Guidebar & FORCE3® Chain
575865	695XL-16 GC Gas Power Cutter Pkg. with 16 in/40 cm FORCE3® Guidebar & FORCE3® Chain

695XL-F4



P/N	DESCRIPTION
575826	695XL F4 Powerhead
576151	695XL-12 F4 Gas Power Cutter Pkg, with 12 in/30 cm FORCE4® Guidebar & FORCE4® Chain
575872	695XL-16 F4 Gas Power Cutter Pkg, with 16in/40 cm FORCE4® Guidebar & FORCE4® Chain

695XL GAS POWER CUTTERS AND CONSUMABLES

695XL-GC CONCRETE CUTTING

12", 14", 16"

P/N	DESCRIPTION
584290	FORCE3® Standard Chain 12 in/30 cm, 58 Drive Links
584292	FORCE3® Standard Chain 14 in/35 cm, 64 Drive Links
584294	FORCE3® Standard Chain 16 in/40 cm, 70 Drive Links
584298	FORCE3® Premium Chain 12 in/30 cm, 58 Drive Links
584302	FORCE3® Premium Chain 14 in/35 cm, 64 Drive Links
584303	FORCE3® Premium Chain 16 in/40 cm, 70 Drive Links
584297	FORCE3® Brick Chain 12 in/30 cm, 58 Drive Links
584299	FORCE3® Brick Chain 14 in/35 cm, 64 Drive Links
584301	FORCE3® Brick Chain 16 in/40 cm, 70 Drive Links
635705	695XL FORCE3® Guidebar 12 in/30 cm
632195	695XL FORCE3® Guidebar 14 in/35 cm
632196	695XL FORCE3® Guidebar 16 in/40 cm
70949	FORCE3® Drive Sprocket for 695XL-GC Series

695XL-F4 CONCRETE CUTTING

12", 16", 20"

P/N	DESCRIPTION
648023	FORCE4® Standard Chain with Trident™ Segment Technology 10 in/25 cm
648025	FORCE4® Standard Chain with Trident™ Segment Technology 15 in/38 cm
648026	FORCE4® Standard Chain with Trident™ Segment Technology 20 in/50 cm
644740	FORCE4® Premium Life with Trident™ Segment Technology Chain 12 in/30 cm
644741	FORCE4® Premium Life with Trident™ Segment Technology Chain 16 in/40 cm
644742	FORCE4® Premium Life with Trident™ Segment Technology Chain 20 in/50 cm
644746	FORCE4® Premium Speed with Trident™ Segment Technology Chain 12 in/30 cm
644747	FORCE4® Premium Speed with Trident™ Segment Technology Chain 16 in/40 cm
644748	FORCE4® Premium Speed with Trident™ Segment Technology Chain 20 in/50 cm

P/N	DESCRIPTION
531747	FORCE4® Abrasive Chain 12 in/30 cm
525344	FORCE4® Abrasive Chain 16 in/40 cm
531753	FORCE4® Abrasive Chain 20 in/50 cm
599881	FORCE4® Cross-LINK Chain 12 in/30 cm
599882	FORCE4® Cross-LINK Chain 16 in/40 cm
599883	FORCE4® Cross-LINK Chain 20 in/50 cm
605443	FORCE4® Sandwich Segment Chain 12 in/30 cm
605414	FORCE4® Sandwich Segment Chain 16 in/40 cm
605400	FORCE4® Sandwich Segment Chain 20 in/50 cm
598280	FORCE4® Texas Edition Chain 12 in/30 cm
598281	FORCE4® Texas Edition Chain 16 in/40 cm
598282	FORCE4® Texas Edition Chain 20 in/50 cm
635706	695F4 Guidebar 12in/30cm
635701	695F4 Guidebar 16in/40cm
635709	695F4 Guidebar 20in/50cm
525496	695XL FORCE4® Drive Sprocket

680ES GAS POWER

5.0 Horsepower
 76.5 CC displacement
 20 psi water pressure
 2 gpm water flow
 50:1 fuel mix

680ES-GC



P/N	DESCRIPTION
576155	680ES Powerhead
648513	680ES-10 GC Gas Power Cutter Pkg. with 10 in/25 cm FORCE3® Guidebar & FORCE3® Chain
576154	680ES-12 GC Gas Power Cutter Pkg. with 12 in/30 cm FORCE3® Guidebar & FORCE3® Chain
576153	680ES-12 GC Gas Power Cutter Pkg. with 14 in/35 cm FORCE3® Guidebar & FORCE3® Chain



680ES GAS POWER CUTTERS AND CONSUMABLES

680ES-GC CONCRETE CUTTING

10", 12", 14"

P/N	DESCRIPTION
584288	FORCE3® Standard Chain 10 in/25 cm, 50 Drive Links
584290	FORCE3® Standard Chain 12 in/30 cm, 58 Drive Links
584292	FORCE3® Standard Chain 14 in/35 cm, 64 Drive Links
584289	FORCE3® Brick Chain 10 in/25 cm, 50 Drive Links
584297	FORCE3® Brick Chain 12 in/30 cm, 58 Drive Links
584299	FORCE3® Brick Chain 14 in/35 cm, 64 Drive Links
584295	FORCE3® Premium Chain 10 in/25 cm, 50 Drive Links
584298	FORCE3® Premium Chain 12 in/30 cm, 58 Drive Links
584302	FORCE3® Premium Chain 14 in/35 cm, 64 Drive Links
621540	680ES-GC FORCE3® Guidebar 10 in/25 cm
632194	680ES-GC FORCE3® Guidebar 12 in/30 cm
635697	680ES-GC FORCE3® Guidebar 14 in/35 cm
580424	680ES-PG PowerGrit® Chain 10 in/25 cm (48 drive links)
608234	680ES-PG PowerGrit® XL Chain 10in/25cm (48 drive links)
635709	680ES-PG PowerGrit® Guidebar 10in/25 cm
70949	FORCE3® Drive Sprocket for 680ES-GC Series
525496	FORCE4® Drive Sprocket for 680ES-PG Series



890F4 HYDRAULIC POWER 8gpm

6 horsepower
7 ft-lbs torque
2500 psi hydraulic supply
20psi water supply
2gpm water flow

890F4 HYDRAULIC POWER 12gpm

8 horsepower
10 ft-lbs torque
2500 psi hydraulic supply
20psi water supply
2gpm water flow

890F4



P/N	DESCRIPTION
566110	890F4 Hydraulic Powerhead 8 gpm/30 lpm, 1 ft/30 cm hose whips
566355	890F4 Hydraulic Powerhead 8 gpm/30 lpm, 8 ft/2.5 m hose whips
566112	890F4 Hydraulic Powerhead 12 gpm/45 lpm, 1 ft/30 cm hose whips
566116	890F4 Hydraulic Powerhead 12 gpm/45 lpm, 8 ft/2.5 m hose whips

890F4 FLUSH



P/N	DESCRIPTION
566113	890F4 Hydraulic Flush Cut Powerhead 8 gpm/30 lpm, 1 ft/30 cm hose whips
566351	890F4 Hydraulic Flush Cut Powerhead 8 gpm/30 lpm, 8 ft/2.5 m hose whips
566114	890F4 Hydraulic Flush Cut Powerhead 12 gpm/45 lpm, 1 ft/30 cm hose whips
566117	890F4 Hydraulic Flush Cut Powerhead 12 gpm/45 lpm, 8 ft/2.5 m hose whips

890F4 HYDRAULIC POWER CUTTERS AND CONSUMABLES

890F4 & 701-A CONCRETE CUTTING

10", 15", 20", 25"

P/N	DESCRIPTION
648023	FORCE4® Standard Chain with Trident™ Segment Technology 10 in/25 cm
648025	FORCE4® Standard Chain with Trident™ Segment Technology 15 in/38 cm
648026	FORCE4® Standard Chain with Trident™ Segment Technology 20 in/50 cm
648050	FORCE4® Standard Chain with Trident™ Segment Technology 25 in /63 cm
644740	FORCE4® Premium Life Chain with Trident™ Segment Technology 10 in/25 cm
644741	FORCE4® Premium Life Chain with Trident™ Segment Technology 15 in/38 cm
644742	FORCE4® Premium Life Chain with Trident™ Segment Technology 20 in/50 cm
644743	FORCE4® Premium Life Chain with Trident™ Segment Technology 25 in/63 cm
644746	FORCE4® Premium Speed with Trident™ Segment Technology Chain 10 in/25 cm
644747	FORCE4® Premium Speed with Trident™ Segment Technology Chain 15 in/38 cm
644748	FORCE4® Premium Speed with Trident™ Segment Technology Chain 20 in/50 cm
644769	FORCE4® Premium Speed with Trident™ Segment Technology Chain 25 in/63 cm
531747	FORCE4® Abrasive Chain 10 in/25 cm
525344	FORCE4® Abrasive Chain 15 in/38 cm
531753	FORCE4® Abrasive Chain 20 in/50 cm
525347	FORCE4® Abrasive Chain 25 in/63 cm
599881	FORCE4® Cross-LINK Chain 10 in/25 cm
599882	FORCE4® Cross-LINK Chain 15 in/38 cm
599883	FORCE4® Cross-LINK Chain 20 in/50 cm
599884	FORCE4® Cross-LINK Chain 25 in/63 cm
605443	FORCE4® Sandwich Segment Chain 10 in/25 cm
605414	FORCE4® Sandwich Segment Chain 15 in/38 cm
605400	FORCE4® Sandwich Segment Chain 20 in/50 cm
605399	FORCE4® Sandwich Segment Chain 25 in/63 cm
598280	FORCE4® Texas Edition Chain 12 in/30 cm
598281	FORCE4® Texas Edition Chain 16 in/40 cm
598282	FORCE4® Texas Edition Chain 20 in/50 cm
589283	FORCE4® Texas Edition Chain 25 in/63 cm
635704	FORCE4® Guidebar 10 in/25 cm
635700	FORCE4® Guidebar 15 in/38 cm
635703	FORCE4® Guidebar 20 in/50 cm
635702	FORCE4® Guidebar 25 in/63 cm
565065	890/701-A FORCE4® Drive Sprocket
565066	890 FLUSH FORCE4® Drive Sprocket

701-A PNEUMATIC POWER

6.5 horsepower
90 psi (6 Bar)
20psi water supply
2gpm water flow

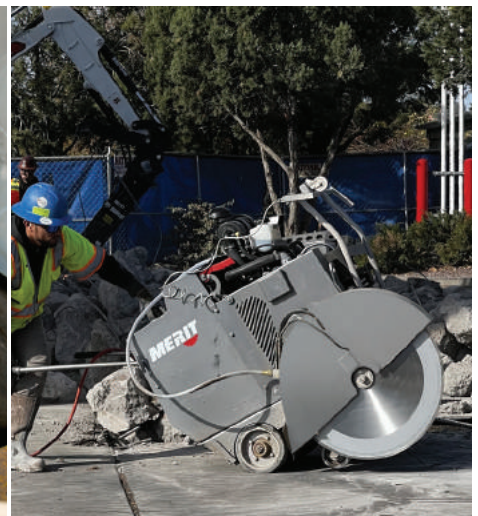
701-A



P/N	DESCRIPTION
573511	701-A Powerhead, pneumatic

701-A PIPE & CONCRETE CUTTING CONSUMABLES

On page 11



POWER PACKS

M300-23G HYDRAULIC POWERPACK



SPECIFICATIONS

DIMENSIONS	36in H, 21in W, 29in L / 91cm H, 53cm W, 74cm, L
OIL FLOW	12 GPM at 2,300
PRESSURE	2300 PSI
OIL RESERVOIR	8 gallons / 30L steel reservoir
WEIGHT	450lbs. / 204kg.
FUEL CAPACITY	4 gallon /15L steel fuel tank
ENGINE MANUFACTURER	Kohler
COOLING SYSTEM	Air to oil and water to oil cooling systems



P/N	DESCRIPTION
M300-23G-HPP	POWER PACK, HYDRAULIC, 23.5HP, 8-16GPM

P95 POWERPACK



SPECIFICATIONS

DIMENSIONS	36in H, 23in W, 29in L / 91cm H, 58cm W, 75cm, L
OIL FLOW	5gpm/ 19lpm 8gpm/30lpm
PRESSURE	2500 PSI
OIL RESERVOIR	3 gallons / 11L
WEIGHT	330lbs. / 150kg.
FUEL CAPACITY	5.5 gallon /21L
ENGINE MANUFACTURER	Briggs & Stratton 18hp

P/N	DESCRIPTION
599653	P95 POWERPACK

POWERGRIT® by ICS

Why PowerGrit® Diamond Chain?

Utilized by public and private water and wastewater departments worldwide, this patented technology exclusively from ICS is designed to cut a variety of materials from ductile iron to plastic pipe. Featuring a brazed layer diamond coating on our FORCE4® platform, this chain makes your job safer, faster and easier.

ICS engaged a world-leading research university in 2017 to conduct an independent study to measure the differences in kickback energy between circular cutoff saws and abrasive chainsaws when cutting pipe in the trench.

The research study was able to compare and quantify the kickback energies of a circular cutoff saw and an abrasive chainsaw. Results found the kickback energy of the circular cutoff saw to be nearly twice that of the abrasive chainsaw given the same environmental conditions. This data indicates that using an abrasive chainsaw is the safer option for cutting pipe in the trench compared to a circular cutoff saw. Read the white paper and also the full study by visiting our website: <https://www.icsdiamondtools.com/en/news/c/news>.



680ES-PG

P/N	DESCRIPTION
580423	680ES-10 PG Gas Power Cutter Pkg. with 10in/25cm FORCE4® Guidebar & PowerGrit® Chain
580424	680ES-PG PowerGrit® Chain 10 in/25 cm (48 drive links)
608234	680ES-PG PowerGrit® XL Chain 10in/25cm (48 drive links)
635708	680ES-PG PowerGrit® Guidebar 10 in/25 cm
525496	FORCE4® Drive Sprocket for 680ES-PG Series

695XL - PG

P/N	DESCRIPTION
575826	695XL F4 Powerhead
575827	695XL-16 F4 Gas Power Cutter Pkg, with 16 in/40 cm FORCE4® Guidebar & PowerGRIT® Chain
547641	PowerGrit® Chain 12 in/30 cm
537764	PowerGrit® Chain 16 in/40 cm
537765	PowerGrit® Chain 20 in/50 cm
608233	PowerGrit® XL Chain 12 in/30 cm
607664	PowerGrit® XL Chain 16 in/40 cm
608216	PowerGrit® XL Chain 20 in/50 cm
635706	695F4 Guidebar 12in/30cm
635701	695F4 Guidebar 16in/40cm
635709	695F4 Guidebar 20in/50cm
525496	FORCE4® Drive Sprocket for 695XL



890F4/890F4 FLUSH

P/N	DESCRIPTION
566110	890F4 Hydraulic Powerhead 8 gpm/30 lpm, 1 ft/30 cm hose whips
566112	890F4 Hydraulic Powerhead 12 gpm/45 lpm, 1 ft/30 cm hose whips
FLUSH CUT	
566113	890F4 Hydraulic Flush Cut Powerhead 8 gpm/30 lpm, 1 ft/30 cm hose whips
566114	890F4 Hydraulic Flush Cut Powerhead 12 gpm/45 lpm, 1 ft/30 cm hose whips

701-A

P/N	DESCRIPTION
573511	701-A Powerhead, pneumatic

BARS & CHAINS - FIT ALL 890F4 / 890F4 FLUSH / 701-A SAWS

P/N	DESCRIPTION	P/N	DESCRIPTION
547641	PowerGrit® Chain 10 in/25 cm	635704	FORCE4® Guidebar 10 in/25 cm
537764	PowerGrit® Chain 15 in/38 cm	635700	FORCE4® Guidebar 15 in/38 cm
537765	PowerGrit® Chain 20 in/50 cm	635703	FORCE4® Guidebar 20 in/50 cm
545017	PowerGrit® Chain 25 in/63 cm	635702	FORCE4® Guidebar 25 in/63 cm
608233	PowerGrit® XL Chain 10 in/25 cm	565065	890/701-A FORCE4® Drive Sprocket
607664	PowerGrit® XL Chain 15 in/38 cm	565066	890 FLUSH FORCE4® Drive Sprocket
608216	PowerGrit® XL Chain 20 in/50 cm		
608215	PowerGrit® XL Chain 25 in/63 cm		

MERIT®

FLAT SAWS

THE NEW M500 SERIES

For the professional concrete cutter that needs higher horsepower for greater efficiency to complete their jobs, the ICS® M500 is a concrete cutting flat saw that maximizes efficiency better than other flat saws because of its unique 4-speed gearbox. The exclusive gearbox design allows the operator to optimize the efficiency of many blade sizes, resulting in faster cutting and job completion.

POWERFUL FAN

Improved cooling system keeps your engine cooler, eliminating overheating, even in extreme conditions

LESS ELECTRONICS

More manual systems for reduced complexity

MORE POWER

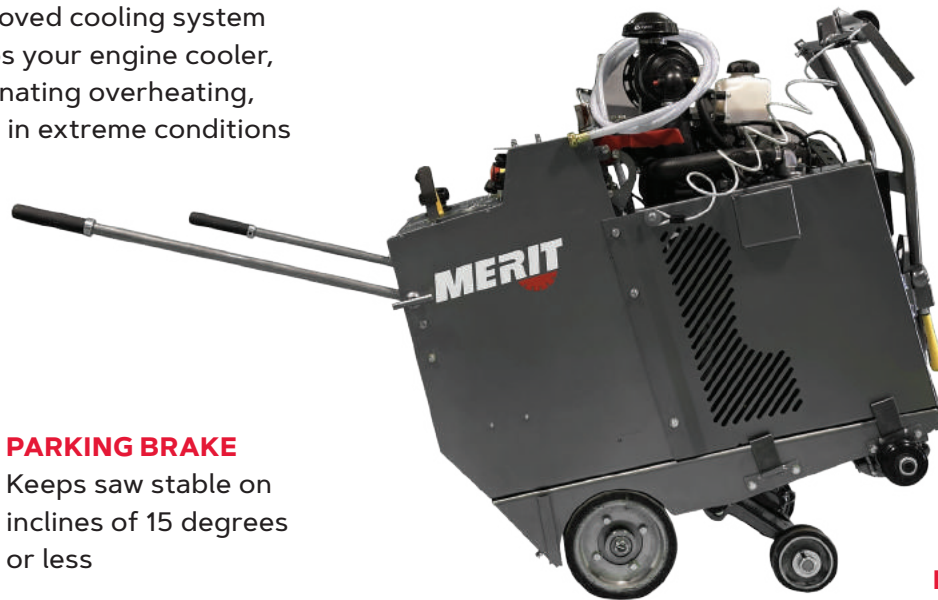
57HP motor with a 4-speed gearbox offers greater efficiency

PARKING BRAKE

Keeps saw stable on inclines of 15 degrees or less

IMPROVED DEPTH STOP

Better ground clearance



KEY FEATURES

- 57HP motor
- 4-speed gearbox
- Electronic Depth Stop
- Larger Fan/Cooling system
- Positraction
- Increased overall serviceability
- Parking Brake for 15 degree incline slopes



SERVICEABILITY

Reduced number of design parts means less maintenance for you and your team.



VERSATILE

4-speed gearbox vs. 3-speed gearboxes allow us to put more horsepower to the blade



EFFICIENT

Unique 4-speed gearbox design allows for maximum hp to the blade, using the engine more efficiently.



FLEXIBILITY

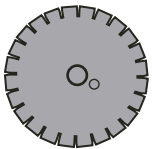
Selecting the rpm that is closest to manufacturer's recommended rpm maximizes the life of your diamond blades and improves performance of your machine

MERIT®

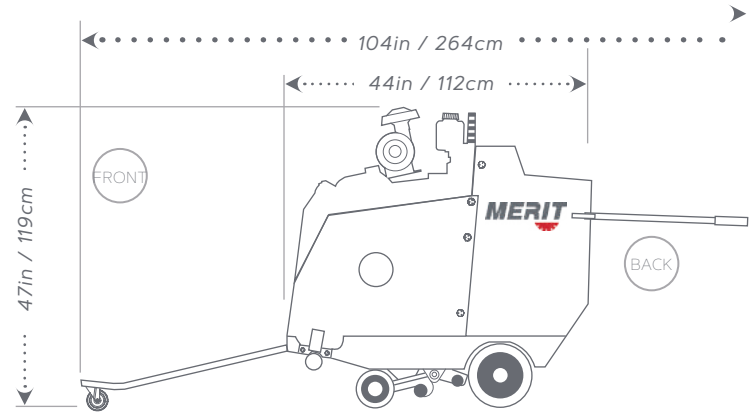
FLAT SAWS



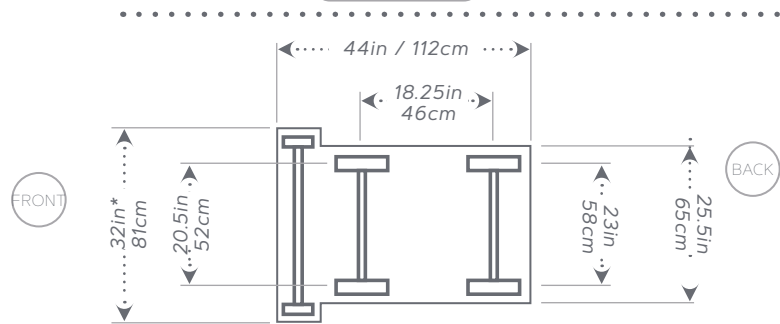
M500SS-57G GAS POWER



14in - 30in
35cm - 76cm
13in/33cm Max Cut



LEFT SIDE VIEW



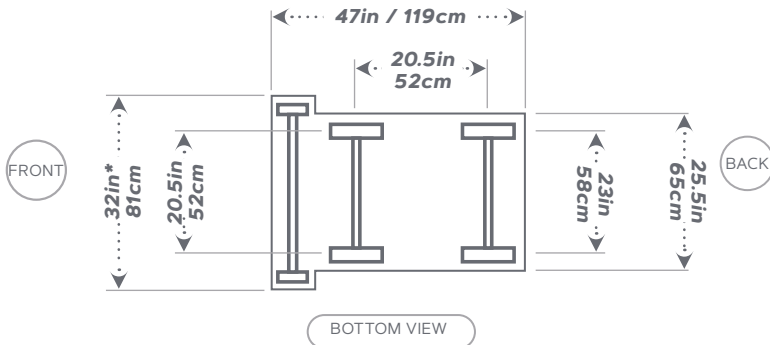
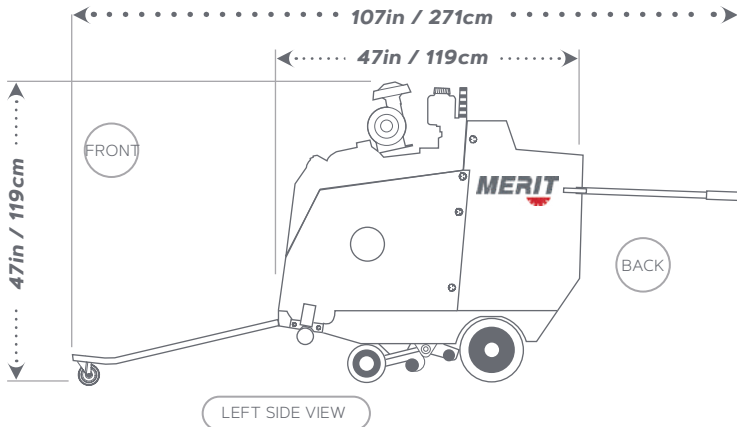
BOTTOM VIEW

SPECIFICATIONS

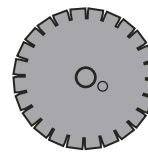
RAISE & LOWER CONTROL	Standard
AIR FILTER	Single Stage
BLADE MOUNTING	Left & Right
BLADE SHAFT DRIVE	1 in / 2.5 cm with 4 in / 10 cm arbors
APPROX. WEIGHT	1234 lbs. / 560 kg.
DRIVE SPEED	0-240FPM
DEPTH CONTROL	Electronic
ARBOR SIZE	1 in / 2.5 cm
ENGINE MANUFACTURER	Kubota
FUEL CAPACITY	5.5 gallons / 20.8L

BLADE GUARD (IN)	BLADE GUARD (CM)
14 x 2	35.5 x 5
18 x 2	46 x 5
20 x 2	50 x 5
24 x 2	61 x 5
26 x 2	66 x 5
30 x 3	76 x 7

P/N	DESCRIPTION
M500SS-57G-R4	M500SS, 57HP, Rear Pivot, Std Control, Std Blade Mount



*32in / 82cm Standard
 30.5in / 77.5cm QD w/components
 28.375in / 72cm QD (Flush) w/components



14in - 36in
35cm - 91cm
15in/38cm Max Cut



RAISE & LOWER CONTROL	Standard
AIR FILTER	Single Stage
BLADE MOUNTING	Left & Right
BLADE SHAFT DRIVE	1 in / 2.5 cm with 4 in / 10 cm arbors
APPROX. WEIGHT	1250 lbs. / 560 kg.
DRIVE SPEED	0-240FPM
DEPTH CONTROL	Electronic
ARBOR SIZE	1 in / 2.5 cm
ENGINE MANUFACTURER	Kubota
FUEL CAPACITY	5.5 gallons / 20.8L

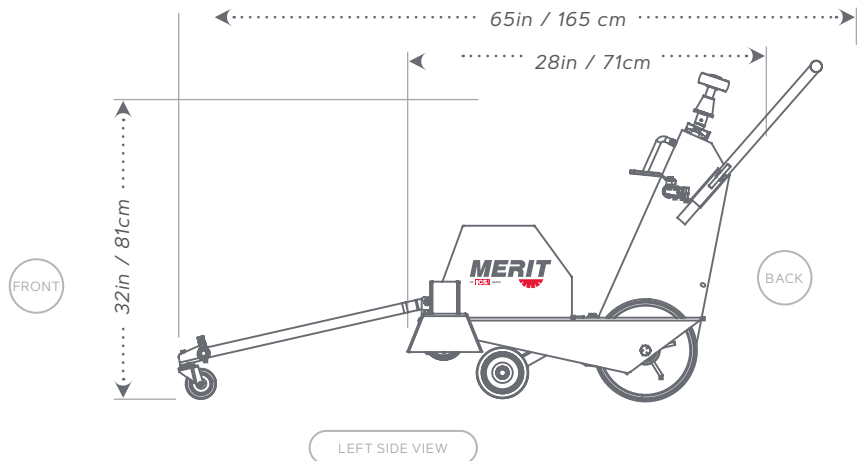
BLADE GUARD IN	BLADE GUARD CM
14 x 2	35.5 x 5
18 x 2	46 x 5
20 x 2	50 x 5
24 x 2	61 x 5
26 x 2	66 x 5
30 x 3	76 x 7
36 x 3	91 x 7

500 SERIES - 57HP - GAS - REAR PIVOT - 4 SPEED

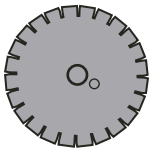
M500-57G-R4	M500, 57HP, GAS, REAR PIVOT, 4 SPEED, STANDARD CONTROL, STANDARD BLADE MOUNT
-------------	--

MERIT®

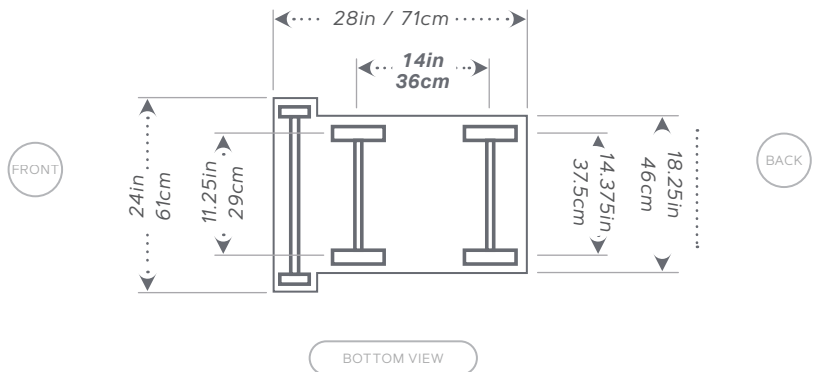
FLAT SAWS



M100W-10E ELECTRIC POWER



14in - 24in
35cm - 61cm
10in/25cm Max Cut



SPECIFICATIONS

RAISE & LOWER CONTROL	Manual
AIR FILTER	N/A
BLADE MOUNTING	Left & Right
BLADE SHAFT DRIVE	1 in / 2.5 cm with 4 in / 10 cm arbors
APPROX. WEIGHT	336 lbs. / 152 kg.
DRIVE SPEED	Push
DEPTH CONTROL	Manual
SPINDLE SIZE	1.25 in / 3 cm with tapered roller bearings
ARBOR SIZE	1 in / 2.5 cm
ENGINE MANUFACTURER	Baldor
VOLTAGE	480V 3-phase
P/N	DESCRIPTION
M100W-10E-P	M100W, 10HP, Electric, Push Flat Saw

BLADE GUARD IN	BLADE GUARD CM
14 X 2	35.5 X 5
18 X 2	46 X 5
20 X 2	50 X 5
24 X 2	61 X 5

**TO PLACE AN ORDER, CONTACT OUR CUSTOMER SUPPORT REPRESENTATIVES
PHONE: 1.800.321.1240 OR
EMAIL: ICS.ORDER@OREGONTOOL.COM**

ICS NORTH AMERICAN DEALER SALES TEAM

JEFF SHERMO

NATIONAL SALES MANAGER - CONTACT FOR ALL STATES/PROVINCES NOT LISTED BELOW
503.313.1123
jeff.shermo@oregontool.com

DAN CUDNEY

REGIONAL SALES MANAGER - SOUTHERN CA, SOUTHERN NV, ARIZONA
971.277.0984
dan.cudney@oregontool.com

KEITH BUFORD

REGIONAL SALES MANAGER - NORTHERN CA, NORTHERN NV
916.212.0015
keith.buford@oregontool.com

LOGAN FRY

REGIONAL SALES MANAGER - COLORADO, UTAH, NEW MEXICO, WYOMING
720.762.8107
logan.fry@oregontool.com

JULIAN JOHNSON

REGIONAL SALES MANAGER - TEXAS, LOUISIANA
210.500.9729
julian.johnson@oregontool.com

TODD HARRISON

REGIONAL SALES MANAGER - SOUTH CAROLINA, NORTH CAROLINA, ALABAMA, GEORGIA,
TENNESSEE, MISSISSIPPI
503.250.3158
todd.harrison@oregontool.com

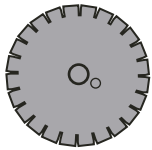
Merit Technical Service: merit.service@oregontool.com
ICS Technical Service: ics.service@oregontool.com

MERIT[®]

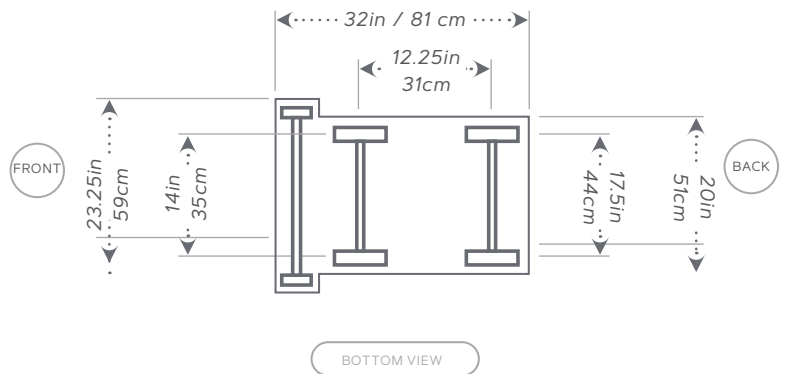
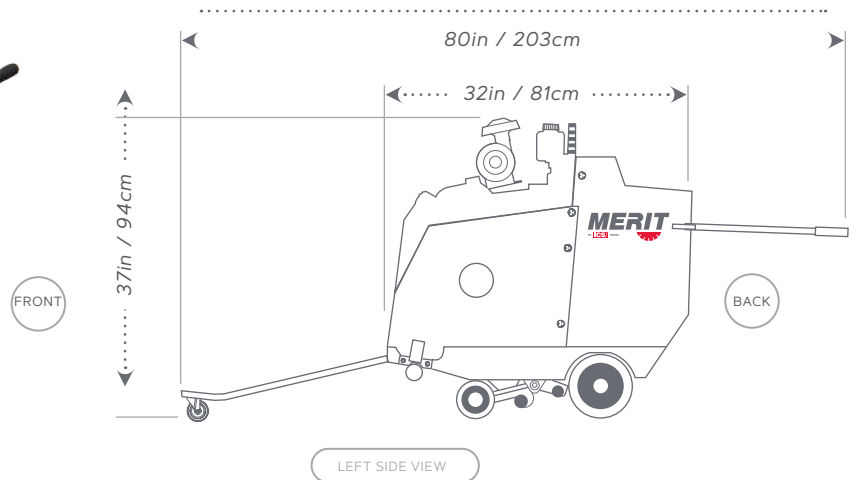
FLAT SAWS



M250W-23G GAS POWER



14in - 24in
35cm - 61cm
10in/25cm Max Cut



SPECIFICATIONS

RAISE & LOWER CONTROL	Manual
AIR FILTER	Engine Supplied
BLADE MOUNTING	Left & Right
BLADE SHAFT DRIVE	1 in / 2.5 cm with 4 in / 10 cm arbors
APPROX. WEIGHT	480 lbs. / 218 kg.
DRIVE SPEED	0 - 200 FPM
DEPTH CONTROL	Manual
SPINDLE SIZE	1.25 in / 3 cm with tapered roller bearings
ARBOR SIZE	1 in / 2.5 cm
ENGINE MANUFACTURER	Kohler
FUEL CAPACITY	3.5 gallons / 13L
P/N	DESCRIPTION
M250-23G-SP	M250, 23HP, Gas, Self-Propelled Flat Saw

BLADE GUARD (IN)	BLADE GUARD (CM)
14 X 2	35.5 X 5
18 X 2	46 X 5
20 X 2	50 X 5
24 X 2	61 X 5

TO PLACE AN ORDER, CONTACT OUR CUSTOMER SUPPORT REPRESENTATIVES

PHONE: 1.800.321.1240 OR

EMAIL: ICS.ORDER@OREGONTOOL.COM

ICS PRO USER SALES TEAM

ROD DEJONG

SW PRO USER SALES MANAGER - CA, NV, AZ, HI

503.260.2569

rod.dejong@oregontool.com

DOUG GALLAGHER

NW PRO USER SALES MANAGER - OR, WA, ID, MT, WY

971.754.5158

doug.gallagher@oregontool.com

ANDY WEYRENS

TEXAS PRO USER SALES MANAGER - TX, LA

503.341.1818

andy.veyrens@oregontool.com

JUSTIN KING

SC PRO USER SALES MANAGER - AR, CO, KS, MO, NM, OK

503.860.0442

justin.king@oregontool.com

ERIC FREEDLUND

NC PRO USER SALES MANAGER - IN, IA, IL, KY, MI, MN, NE, ND, OH, SD, WI

503.314.8977

eric.freedlund@oregontool.com

MIKE HOSIER

NE PRO USER SALES MANAGER - CT, DE, ME, MA, NH, NJ, NY, PA, RI, VT, DC, WV

CANADA: ON, QC, NB, NL

503.708.2701

mike.hosier@oregontool.com

MATTHEW HOLT

SC PRO USER SALES MANAGER - AL, GA, MS, NC, TN, SC

971.317.6322

matthew.holt@oregontool.com

BRAD MUSHINSKY

FLORIDA PRO USER SALES MANAGER - FLORIDA

541.205.1418

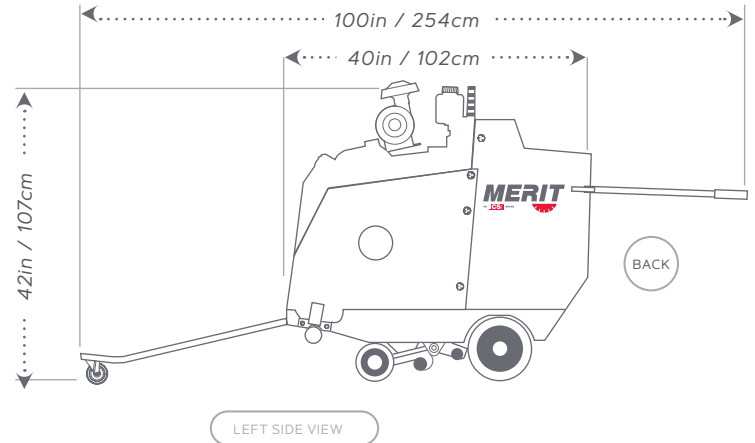
brad.mushinsky@oregontool.com

MERIT®

FLAT SAWS

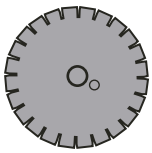


FRONT

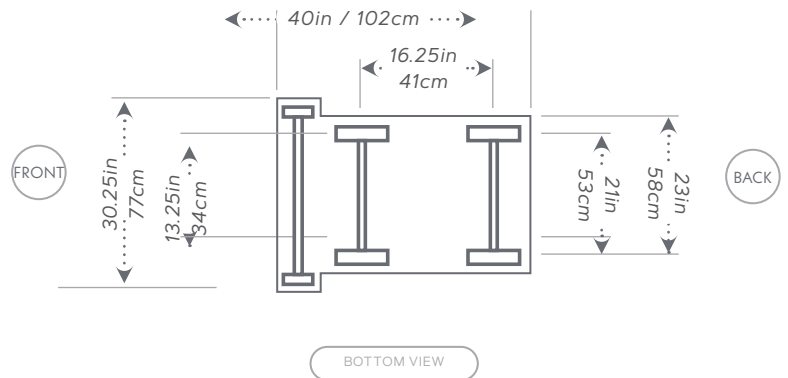


M350W-20E-R4

ELECTRIC POWER



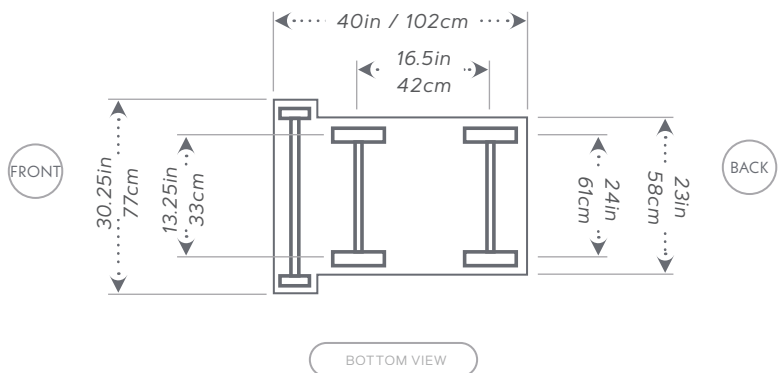
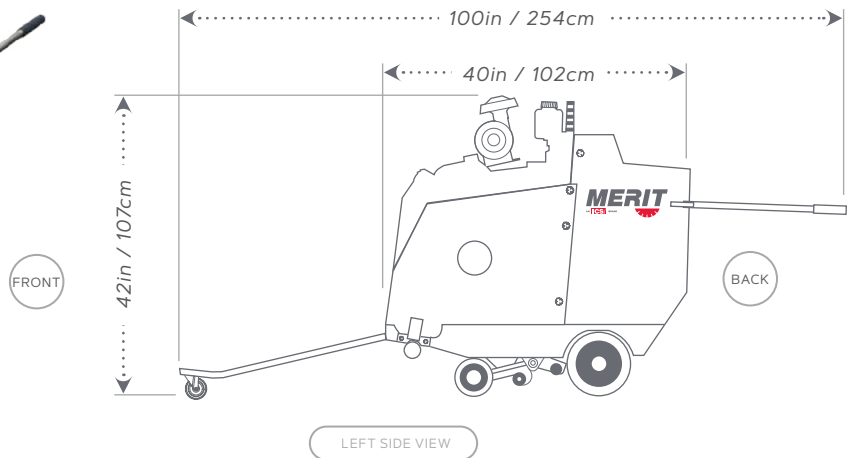
14in - 30in
35cm - 76cm
13in/33cm Max Cut



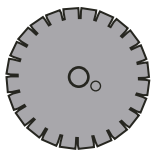
SPECIFICATIONS

RAISE & LOWER CONTROL	Manual
AIR FILTER	N/A
BLADE MOUNTING	Left & Right
BLADE SHAFT DRIVE	1 in / 2.5 cm with 4 in / 10 cm arbors
APPROX. WEIGHT	900 lbs. / 408 kg.
DRIVE SPEED	0 - 200 FPM
DEPTH CONTROL	Mechanical
ARBOR SIZE	1 in / 2.5 cm
ENGINE MANUFACTURER	Baldor
VOLTAGE	480V 3-Phase
P/N	DESCRIPTION
M350-20E-R4	M350, 20HP, Rear Pivot, 4-Speed

BLADE GUARD (IN)	BLADE GUARD (CM)
14 X 2	35.5 X 5
18 X 2	46 X 5
20 X 2	50 X 5
24 X 2	61 X 5
26 X 2	66 X 5
30 X 3	76 X 7



M350-38G-R4 GAS POWER



14in - 30in
35cm - 76cm
13in/33cm Max Cut



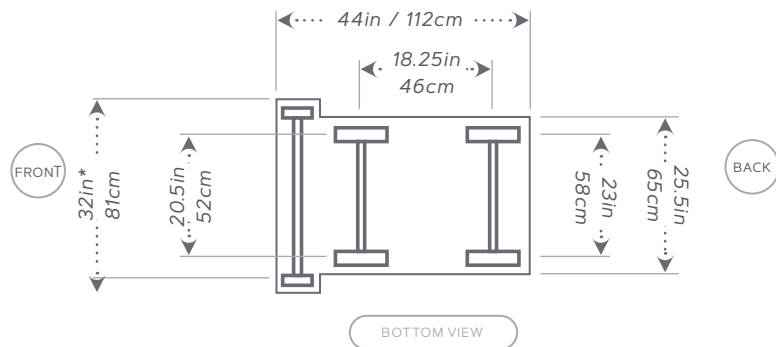
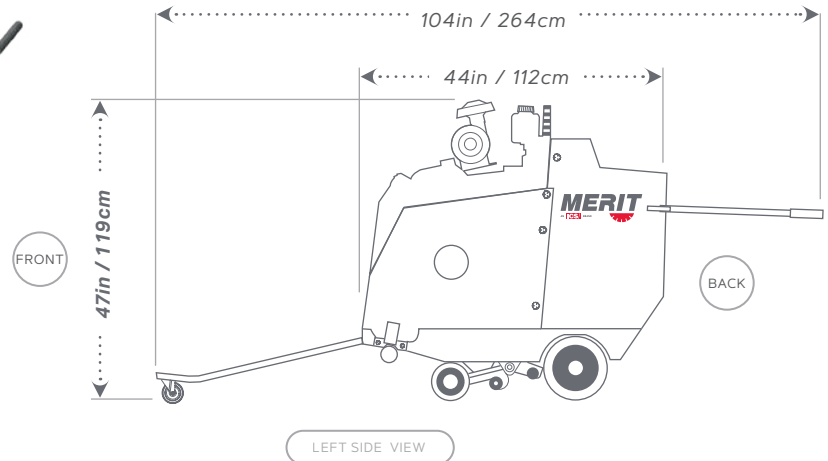
SPECIFICATIONS

RAISE & LOWER CONTROL	Manual
AIR FILTER	Heavy Duty
BLADE MOUNTING	Left & Right
BLADE SHAFT DRIVE	1in / 2.5 cm with 4 in / 10 cm arbors
APPROX. WEIGHT	950 lbs. / 431 kg.
DRIVE SPEED	0 - 200 FPM
DEPTH CONTROL	Mechanical
ARBOR SIZE	1.25in / 3cm 1in / 2.5cm
ENGINE MANUFACTURER	Kohler
FUEL CAPACITY	5 gallons / 19 L
P/N	DESCRIPTION
M350-38G-R4-1110	M350, 38HP, Rear Pivot, 4-Speed

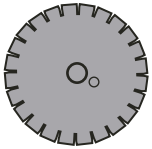
BLADE GUARD (IN)	BLADE GUARD (CM)
14 X 2	35.5 X 5
18 X 2	46 X 5
20 X 2	50 X 5
24 X 2	61 X 5
26 X 2	66 X 5
30 X 3	76 X 7

MERIT[®]

FLAT SAWS



M400SS-30E ELECTRIC POWER



14in - 30in
35cm - 76cm
13in/33cm Max Cut



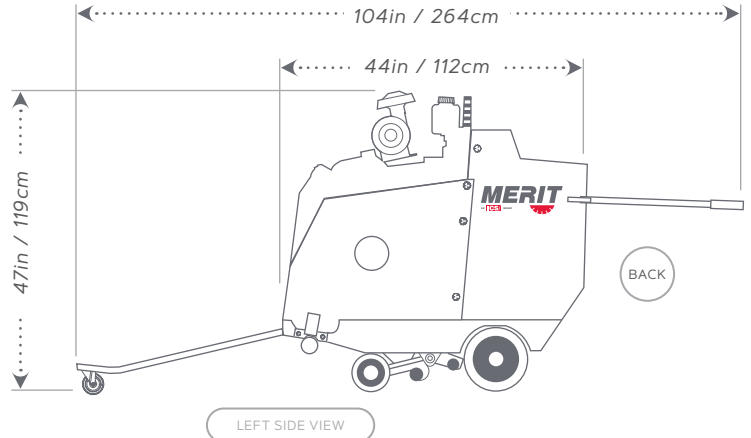
*32in / 82cm Standard
28.5in / 72cm Quick Disconnect

SPECIFICATIONS

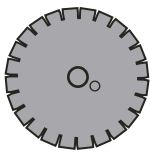
RAISE & LOWER CONTROL	Button or Standard
AIR FILTER	N/A
BLADE MOUNTING	Left & Right
BLADE SHAFT DRIVE	1 in / 2.5 cm with 4 in / 10 cm arbors
APPROX. WEIGHT	1100 lbs. / 499 kg.
DRIVE SPEED	0 - 200 FPM
DEPTH CONTROL	Mechanical
ARBOR SIZE	1 in / 2.5 cm
ENGINE MANUFACTURER	Baldor
VOLTAGE	480V 3-Phase

BLADE GUARD (IN)	BLADE GUARD (CM)
14 X 2	35.5 X 5
18 X 2	46 X 5
20 X 2	50 X 5
24 X 2	61 X 5
26 X 2	66 X 5
30 X 3	76 X 7

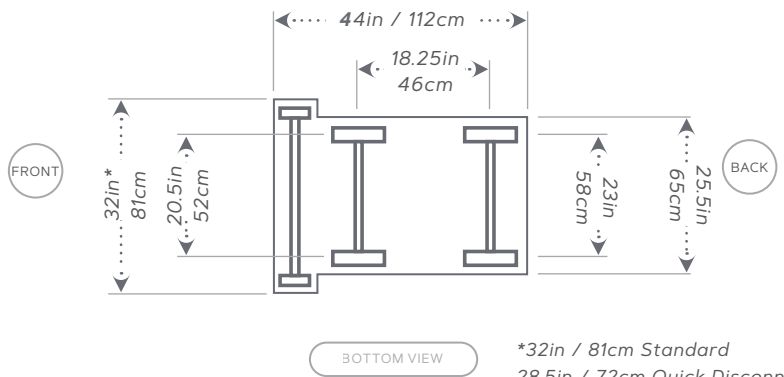
P/N	DESCRIPTION
FRONT PIVOT - SINGLE SPEED	
M400SS-30E-R1-1110	M400SS, 30hp, Electric, Single Speed, Rear Pivot, Std Control, Std Blade Mount
REAR PIVOT - 4-SPEED	
M400SS-30E-R4-1110	M400SS, 30hp, Electric, 4-Speed, Rear Pivot, Std Control, Std Blade Mount
M400SS-30E-R4-1210	M400SS, 30hp, Electric, 4-Speed, Rear Pivot, Std Control, QD Blade Mount



M400SS-50G GAS POWER



14in - 30in
35cm - 76cm
13in/33cm Max Cut



*32in / 81cm Standard
28.5in / 72cm Quick Disconnect



SPECIFICATIONS

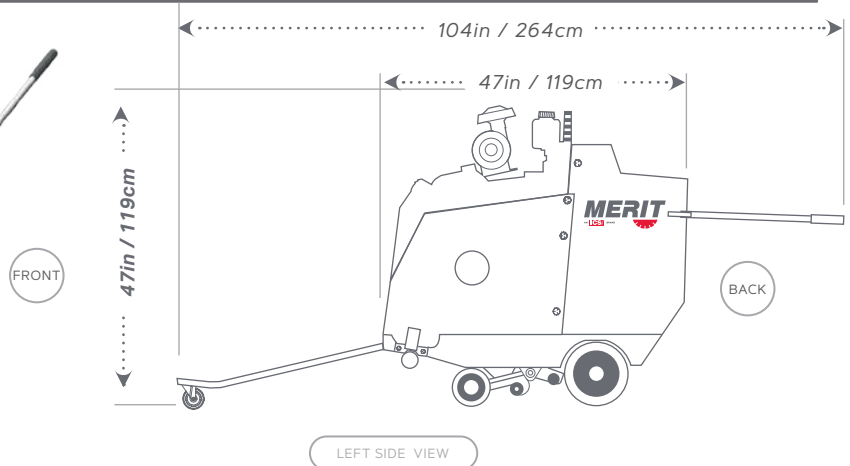
RAISE & LOWER CONTROL	Button or Standard
AIR FILTER	2-stage
BLADE MOUNTING	Left & Right
BLADE SHAFT DRIVE	1 in / 2.5 cm with 4 in / 10 cm arbors
APPROX. WEIGHT	1150 lbs. / 522 kg.
DRIVE SPEED	0 - 240 FPM
DEPTH CONTROL	Mechanical
ARBOR SIZE	1 in / 2.5 cm
ENGINE MANUFACTURER	Kubota
FUEL CAPACITY	6.5 gallons / 25 L

BLADE GUARD (IN)	BLADE GUARD (CM)
14 X 2	35.5 X 5
18 X 2	46 X 5
20 X 2	50 X 5
24 X 2	61 X 5
26 X 2	66 X 5
30 X 3	76 X 7

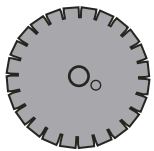
P/N	DESCRIPTION
M400SS-50G-R1-1110	M400SS, 50hp, Gas, Rear Pivot, Single Speed, Std Control, Std Blade Mount

MERIT[®]

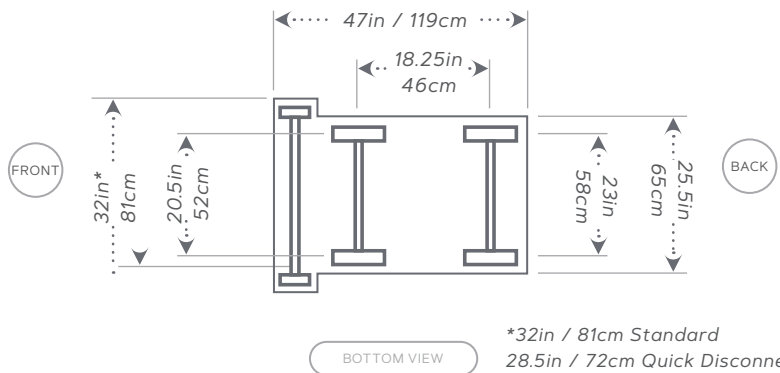
FLAT SAWS



M400-30E ELECTRIC POWER



14in - 36in
35cm - 91cm
16in/41cm Max Cut



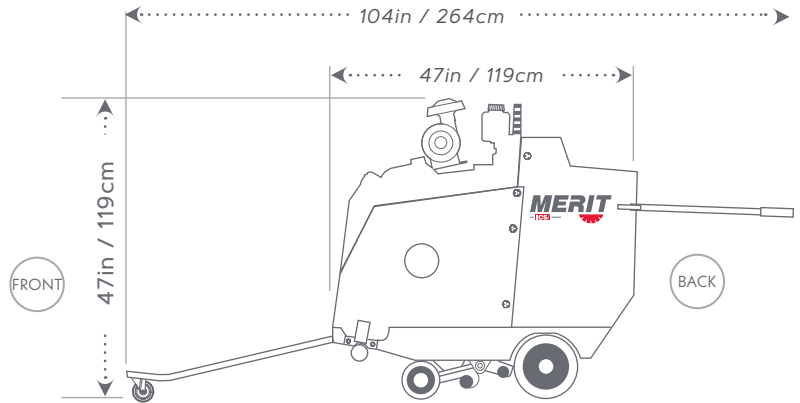
*32in / 81cm Standard
28.5in / 72cm Quick Disconnect

SPECIFICATIONS

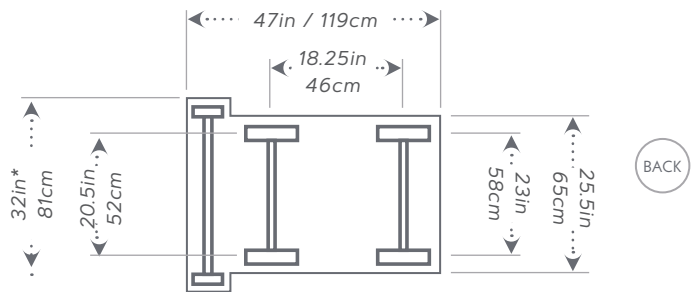
RAISE & LOWER CONTROL	Button or Standard
AIR FILTER	2-stage
BLADE MOUNTING	Left & Right
BLADE SHAFT DRIVE	1 in / 2.5 cm with 4 in / 10 cm arbors
APPROX. WEIGHT	1100 lbs. / 499 kg.
DRIVE SPEED	0 - 240 FPM
DEPTH CONTROL	Mechanical
ARBOR SIZE	1 in / 2.5 cm
ENGINE MANUFACTURER	Baldor
VOLTAGE	480V 3-phase

BLADE GUARD (IN)	BLADE GUARD (CM)
14 X 2	35.5 X 5
18 X 2	46 X 5
20 X 2	50 X 5
24 X 2	61 X 5
26 X 2	66 X 5
30 X 3	76 X 7
32 X 3	81 X 5
36 X 3	91 X 5

P/N	DESCRIPTION
FRONT PIVOT - 4-SPEED	
M400-30E-F4-2210	M400, 30hp, Electric, Front Pivot, 4-Speed, Btn Control, QD Blade Mount
REAR PIVOT - 4-SPEED	
M400-30E-R4-1110	M400, 30hp, Electric, Rear Pivot, 4 Speed, Std Control, Std Blade Mount

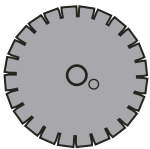


LEFT SIDE VIEW



BOTTOM VIEW

M400-50G GAS POWER



14in - 36in
35cm - 91cm
16in/41cm Max Cut



*32in / 81cm Standard
28.5in / 72cm Quick Disconnect

SPECIFICATIONS

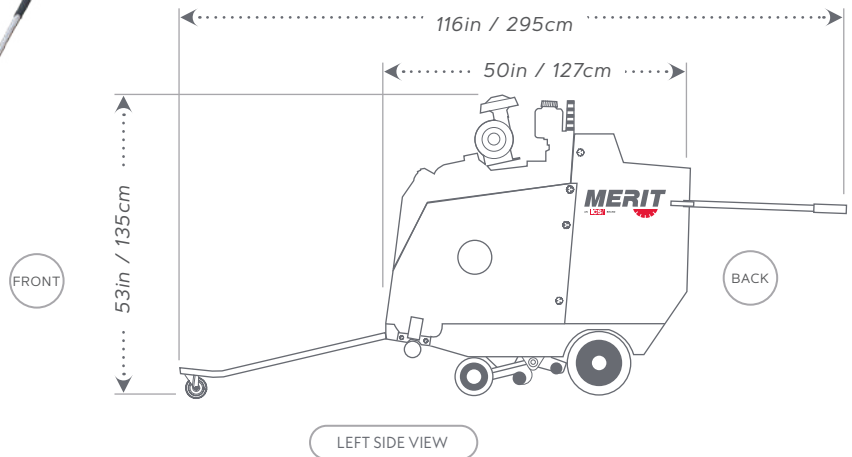
RAISE & LOWER CONTROL	Button or Standard
AIR FILTER	2-stage
BLADE MOUNTING	Left & Right
BLADE SHAFT DRIVE	1 in / 2.5 cm with 4 in / 10 cm arbors
APPROX. WEIGHT	1200 lbs. / 544 kg.
DRIVE SPEED	0 - 240 FPM
DEPTH CONTROL	Mechanical
ARBOR SIZE	1 in / 2.5 cm
ENGINE MANUFACTURER	Kubota
FUEL CAPACITY	6.5 gallons / 25 L

BLADE GUARD IN	BLADE GUARD CM
14 X 2	35.5 X 5
18 X 2	46 X 5
20 X 2	50 X 5
24 X 2	61 X 5
26 X 2	66 X 5
30 X 3	76 X 7
36 X 3	91 X 5

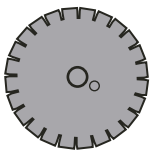
P/N	DESCRIPTION
FRONT PIVOT - SINGLE SPEED	
M400-50G-F1-2210	M400, 50hp, Gas, Front Pivot, Single Speed, Btn Control, QD Blade Mount
FRONT PIVOT - 4-SPEED	
M400-50G-F4-2210	M400, 50hp, Gas, Front Pivot, Single Speed, Btn Control, QD Blade Mount
REAR PIVOT - SINGLE SPEED	
M400-50G-R1-1110	M400, 50hp, Gas, Rear Pivot, Single Speed, Std Control, Std Blade Mount
REAR PIVOT - 4- SPEED	
M400-50G-R4-1110	M400, 50hp, Gas, Rear Pivot, 4-Speed, Std Control, Std Blade Mount

MERIT[®]

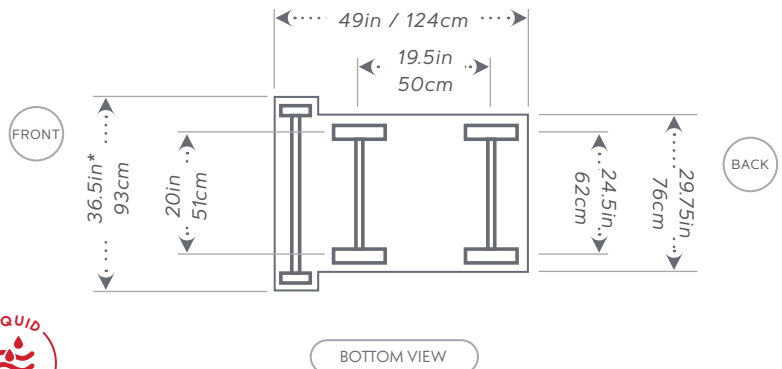
FLAT SAWS



M600SS-61G GAS POWER



14in - 42in
35cm - 107cm
18.5in/47cm Max Cut



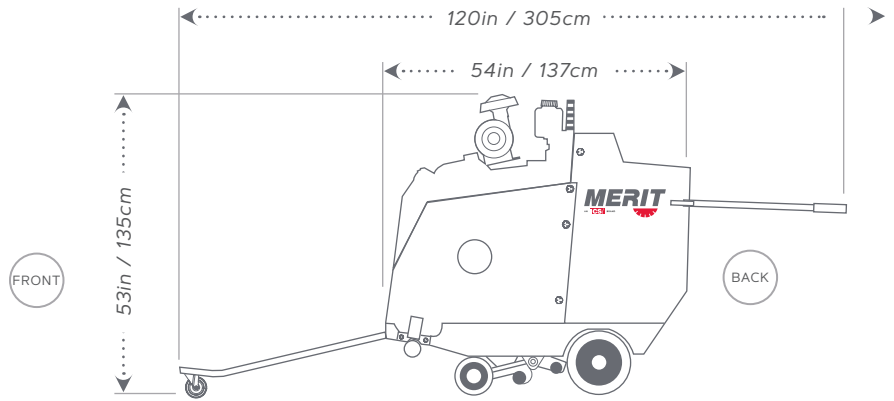
*36.5in / 93cm Standard
32.5in / 83cm Quick Disconnect

SPECIFICATIONS

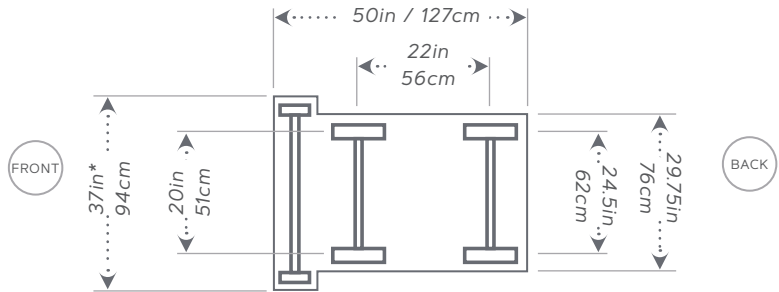
RAISE & LOWER CONTROL	Button or Standard
AIR FILTER	2-stage
BLADE MOUNTING	Left & Right
BLADE SHAFT DRIVE	1 in / 2.5 cm with 4 in / 10 cm arbors
APPROX. WEIGHT	1500 lbs. / 680 kg.
DRIVE SPEED	0 - 240
DEPTH CONTROL	Mechanical
ARBOR SIZE	1 in / 2.5 cm
ENGINE MANUFACTURER	Kubota
FUEL CAPACITY	6.5 gallons / 25 L

BLADE GUARD (IN)	BLADE GUARD (CM)
14 X 2	35.5 X 5
18 X 2	46 X 5
20 X 2	50 X 5
24 X 2	61 X 5
26 X 2	66 X 5
30 X 3	76 X 7
36 X 3	91 X 5
42 X 3	107 X 5

P/N	DESCRIPTION
FRONT PIVOT - 4-SPEED	
M600SS-61G-F4-2210	M600SS, 61hp, Gas, Front Pivot, 4-Speed, Btn Control, QD Blade Mount
REAR PIVOT - 4-SPEED	
M600SS-61G-R4-1110	M600SS, 61hp, Gas, Rear Pivot, 4-Speed, Std Control, Std Blade Mount



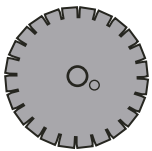
LEFT SIDE VIEW



BOTTOM VIEW

*37in / 94cm Standard
33.75in / 86cm Quick Disconnect

M600EX-61G GAS POWER



14in - 48in
35cm - 122cm
21.5in/55cm Max Cut



SPECIFICATIONS









RAISE & LOWER CONTROL	Button or Standard
AIR FILTER	2-stage
BLADE MOUNTING	Left & Right
BLADE SHAFT DRIVE	1 in / 2.5 cm with 4 in / 10 cm arbors
APPROX. WEIGHT	1750 lbs. / 794 kg.
DRIVE SPEED	0 - 240 FPM
DEPTH CONTROL	Mechanical
ARBOR SIZE	1 in / 2.5 cm
ENGINE MANUFACTURER	Kubota
FUEL CAPACITY	6.5 gallons / 25 L

BLADE GUARD (IN)	BLADE GUARD (CM)
14 X 2	35.5 X 5
18 X 2	46 X 5
20 X 2	50 X 5
24 X 2	61 X 5
26 X 2	66 X 5
30 X 3	76 X 7
36 X 3	91 X 5
42 X 3	107 X 5
48 X 3	122 X 7

P/N	DESCRIPTION
FRONT PIVOT - 4-SPEED	
M600EX-61G-F4-2210	M600EX, 61hp, Gas, Front Pivot, 4 Speed, Btn Control, QD Blade Mount
REAR PIVOT - 4-SPEED	
M600EX-61G-R4-1110	M600EX, 61hp, Gas, Rear Pivot, 4 Speed, Std Control, Std Blade Mount

ICS® DIAMOND CHAIN

FORCE4® DIAMOND CHAIN

CROSS-LINK®		FASTER CUTS, SMOOTHER HANDLING, LONGER LIFE
FORCE4® Standard 		TOUGH, GENERAL PURPOSE DIAMOND CHAIN
FORCE4® Premium L 		DELIVERS LONGER LIFE IN HARD AGGREGATE
FORCE4® Premium S 		SPEED AND STRENGTH IN ONE DIAMOND CHAIN
FORCE4® Abrasive		EXCELS IN THE ABRASIVE CUTTING ENVIRONMENTS
FORCE4® Sandwich		IMPROVED CUT STRAIGHTNESS AND LONGER SIDE CLEARANCE
FORCE4® Texas Edition		SOFT SEGMENT FOR VERY HARD MATERIALS

695XL FORCE4® Guidebars/Sprockets

P/N	DESCRIPTION
635706	695F4 Guidebar 12in/30cm
635701	695F4 Guidebar 16in/40cm
635709	695F4 Guidebar 20in/50cm
525496	695XL FORCE4® Drive Sprocket

890 & 701-A FORCE4® Guidebars/Sprockets

P/N	DESCRIPTION
635704	FORCE4® Guidebar 10in/25cm
635700	FORCE4® Guidebar 15in/38cm
635703	FORCE4® Guidebar 20in/50cm
635702	FORCE4® Guidebar 25in/63cm
565065	890 & 701-A FORCE4® Drive Sprocket
565066	890 FLUSH FORCE4® Drive Sprocket

The FORCE4® Platform Exclusively from ICS.

All components work together to deliver unrivaled performance in professional cutting applications

ICS FORCE4® Diamond Chain

Rivet design means less stretch

50% greater tensile strength to reduce breaking

Patented pitch design creates the optimal combination of weight and strength

Water distribution feature allows for better lubrication between bar and chain

Deep engagement drive links help keep cuts straight

Patented SealPRO® O-ring and bumper design for smooth cutting performance and maximum life

ICS FORCE4® Drive Sprockets

Upgraded guide ring design distributes load for greater durability

Tool steel alloy guarantees exceptional strength, life and abrasion resistance.

Available for 695XL, 890F4, 890F4 Flush & 701-A power cutters

ICS FORCE4® Guidebars

Laser-cut internal water channels keep the nose sprocket lubricated

Deep groove stabilizes FORCE4 bar chassis for straighter, cleaner cuts

Available in 10", 15", 20" & 25" cutting depths



ICS FORCE4®
Diamond Chain



ICS FORCE4®
Drive Sprockets



ICS FORCE4®
Guidebars

Why Trident™ Segment Technology?

Geometry on diamond segments isn't new to our industry and has been used in concrete cutting consumables for some time. So what is different about Trident™ Segment Technology?

Trident™ Segment Technology is a design & utility patent-pending innovation that not only is a unique geometry within our industry but an overall optimized cutting system that delivers up to 50% faster out-of-box performance without sacrificing chain life or steady state speed. This new innovation allows ICS to continue its legacy of delivering industry-leading products.

TRIDENT
SEGMENT TECHNOLOGY



NEW!






ICS® DIAMOND CHAIN

FORCE3® DIAMOND CHAIN



Designed to be used with the full line of Oregon gas power cutters, these chains offer the ultimate combination of versatility and affordability. Available in three configurations to match your specific application and cutting challenges.

<p>FORCE3® Standard</p>		<p>FASTER CUTTING, ECONOMICAL CHAIN FOR EVERYDAY USE</p>
<p>FORCE3® Premium</p>		<p>BEST CHAIN TO CUT HARDER AGGREGATES AND HEAVY REBAR</p>
<p>FORCE3® Brick</p>		<p>LARGER SEGMENTS FOR LONGER LIFE. BEST FOR CUTTING BRICK, BLOCK AND MORE.</p>

680ES FORCE3® Guidebars

P/N	DESCRIPTION
632194	680ES FORCE3® Guidebar 12in/30cm
635697	680ES FORCE3® Guidebar 14in/35cm

695XL FORCE3® Guidebars

P/N	DESCRIPTION
635705	695XL FORCE3® Guidebar 12in/30cm
632195	695XL FORCE3® Guidebar 14in/35cm
632196	695XL FORCE3® Guidebar 16in/40cm

680ES/695XL FORCE3® Drive Sprocket

P/N	DESCRIPTION
70949	Fits 680ES & 695XL GC Saws

POWERGRIT® PIPE CUTTING CHAIN

Utilized by public and private water and wastewater departments worldwide, this patented technology exclusively from Oregon is designed to cut a variety of materials from ductile iron to plastic pipe. Featuring a brazed layer diamond coating on our FORCE4 platform, this chain makes your job safer, faster and easier.



PowerGRIT®



DESIGNED TO CUT DUCTILE IRON,
CAST IRON AND MORE.

PowerGRIT® XL



SPECIFICALLY DESIGNED TO CUT
HIGH-DENSITY POLYTHYLENE
(HDPE).

890 & 701-A FORCE4® Guidebars

P/N	DESCRIPTION
635704	FORCE4® Guidebar 10in/25cm
635700	FORCE4® Guidebar 15in/38cm
635703	FORCE4® Guidebar 20in/50cm
635702	FORCE4® Guidebar 25in/63cm

890F4 & 701-A FORCE4® Drive Sprockets

P/N	DESCRIPTION
565065	890F4 & 701-A FORCE4® Drive Sprocket
565066	890F4 FLUSH FORCE4® Drive Sprocket

680ES POWERGRIT® Guidebar

P/N	DESCRIPTION
635708	680ES-PG Guidebar 10in/25cm

680ES POWERGRIT® Drive Sprocket

P/N	DESCRIPTION
525496	Fits 680ES-PG Saw

695XL FORCE4 Guidebars/Sprockets

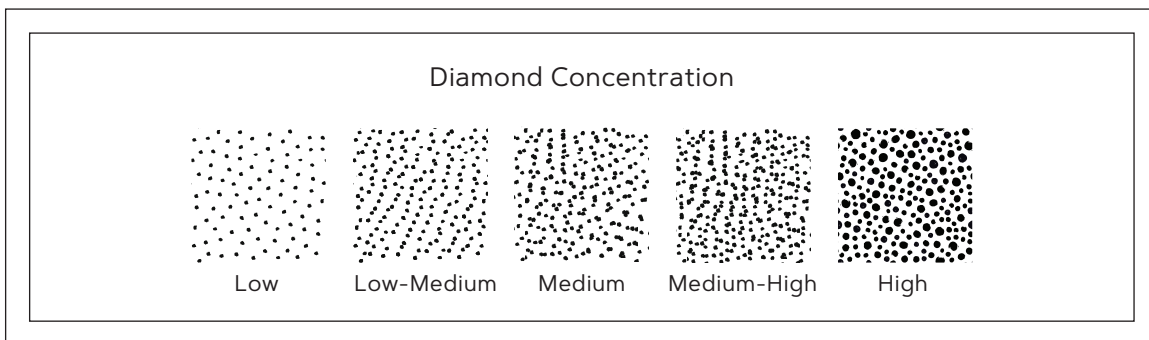
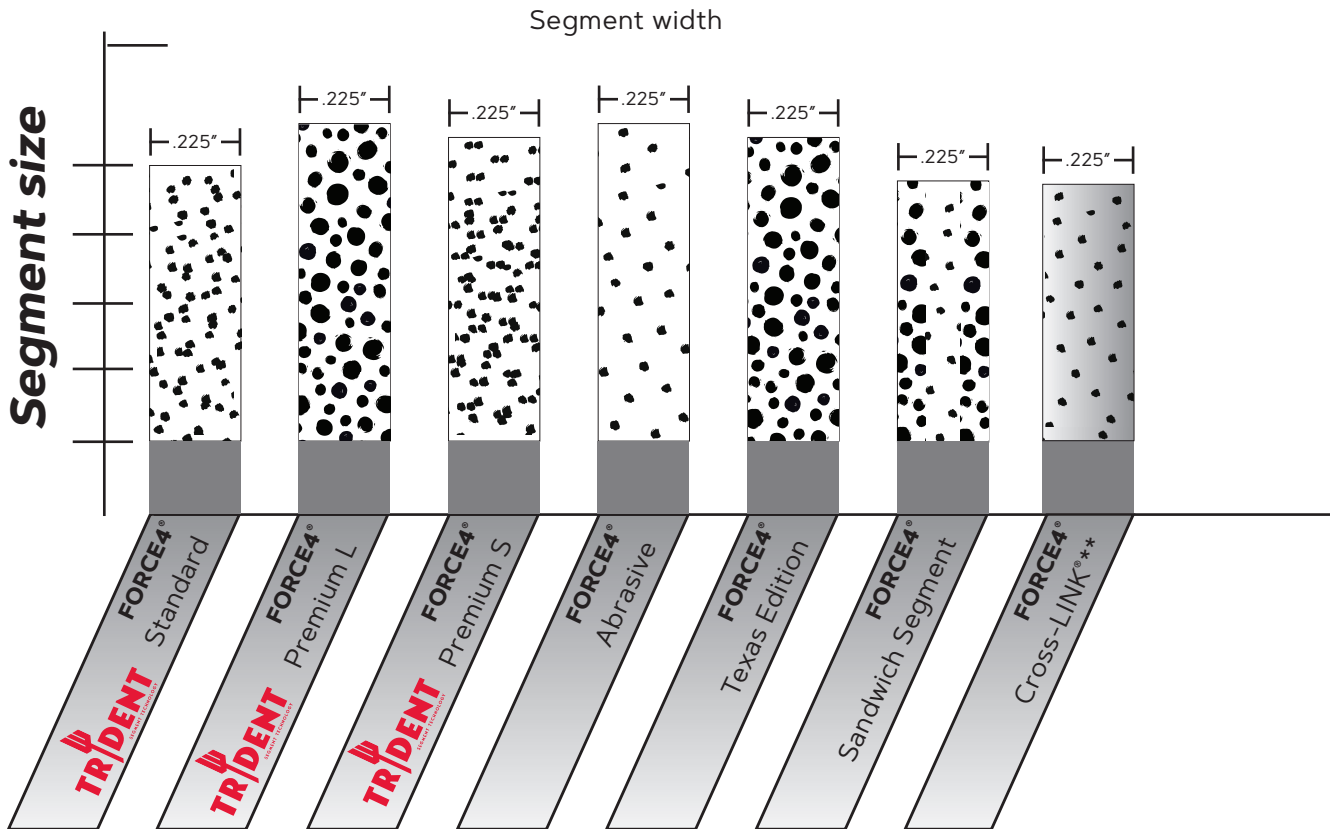
P/N	DESCRIPTION
635706	695F4 Guidebar 12in/30cm
635701	695F4 Guidebar 16in/40cm
635709	695F4 Guidebar 20in/50cm

695XL FORCE4® Drive Sprocket

P/N	DESCRIPTION
525496	Fits 695XL F4 Saws

ICS® DIAMOND CHAIN

FORCE4 SEGMENT VARIATIONS



* volume difference related to width not represented

** full house configuration

CHAIN SELECTION CHART

◆	GOOD
◆◆	BETTER
◆◆◆	EXCELLENT
◆◆◆◆	BEST

Chain Types		Power Cutter Compatibility	Abrasive natural stone/brick	Soft natural stone Concrete hardness $\leq 3,000\text{psi}$	Medium concrete/ light reinforcement Concrete hardness 3,000 - 6,000 psi	Hard concrete/ heavy reinforcement concrete hardness $\leq 8,000\text{psi}$	Ductile iron/cast iron ac pipe/clay pipe/PVC	HDPE
FORCE3[®] General purpose	680ES GC 695XL GC			◆◆	◆◆			
FORCE3[®] Premium For harder materials	680ES GC 695XL GC			◆◆	◆◆◆	◆◆◆		
FORCE3[®] Brick Ideal for brick & block	680ES GC 695XL GC		◆◆◆◆					
TwinPro[™] General purpose	814PRO			◆◆	◆◆	◆◆◆		
FORCE4[®] General purpose	890 Series 701-A 695XL F4			◆◆	◆◆◆	◆		
FORCE4[®] Premium L w/Trident segment Technology Longer Cutting life	890 Series 701-A 695XL F4			◆	◆◆	◆◆◆		
FORCE4[®] Premium S w/Trident segment Technology Faster cutting speed	890 Series 701-A 695XL F4			◆	◆◆	◆◆◆		
FORCE4[®] Abrasive Ideal for brick & block	890 Series 701-A 695XL F4		◆◆◆◆					
FORCE4[®] Texas Edition Excellent for very hard aggregate	890 Series 701-A 695XL F4					◆◆◆◆		
FORCE4[®] Sandwich Segment Longer side clearance	890 Series 701-A 695XL F4			◆	◆◆	◆◆◆		
FORCE4[®] Cross-LINK Faster cutting. longer lasting	890 Series 701-A 695XL F4			◆◆◆	◆◆◆	◆◆◆		
FORCE4[®] Wide Kerf Designed for specific applications	890 Series 701-A 695XL F4			◆	◆◆	◆◆◆		
PowerGrit[®] General purpose utility pipe	890 Series 701-A 695XL PG 680ES PG						◆◆◆	
PowerGrit[®] XL Improved performance in utility pipe	890 Series 701-A 695XL PG 680ES PG						◆◆◆◆	◆◆◆

* Asbestos is a hazardous material, known to cause serious respiratory diseases. Cutting into asbestos can release asbestos fibers into the air. Always research and follow the correct safety procedures, including applicable national and state or provisional occupational health and safety regulations, and protect yourself and those around you from asbestos-related disease. Always arrange for the material to be removed safely by a qualified person. Oregon is not responsible for exposure to asbestos caused by use of this product.



ICS

**4909 SE International Way
Portland, OR 97222**

800.321.1240

icsdiamondtools.com